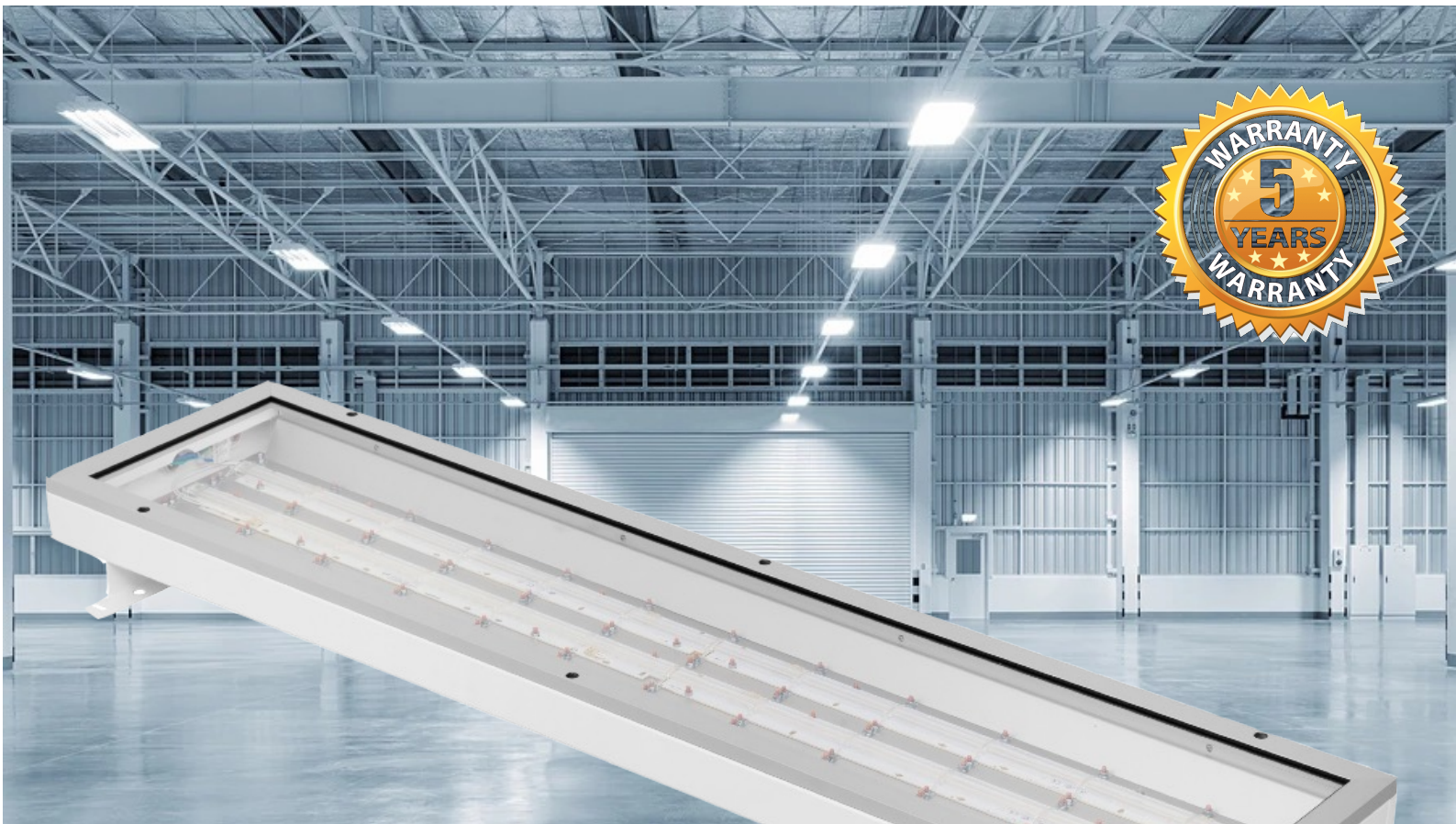


LED Skyline High Bay



IP65

5 years warranty



SPECIFICATION

LED Skyline High Bay



Caution

- Please read the user manual before installation.
- Please install, connect and test the lamp according to local regulations, Lamps should always be installed or replaced with care by professional person.
- Ensure the power is switched off before installation.
- Please check whether the lamps are broken or not during shipping, broken items cannot be used anymore.
- Please keep the lamps and accessories away from kids to avoid hurt by mistakes.
- For protecting eyes, please do not watch the luminous surface for a long time,
- Do not cover anything on lamp and keep lamps away from fire or high temperature objects.
- Switch the power off and cool down the lamp before cleaning.
- The lamp is only suitable for weak acid and weak base environment.
- Please DO NOT install this product in the following places:
 1. The place has a large quantity of lampblack and smoke, such as: kitchen and food processing factory etc.
 2. The place has a large quantity of chemical corrosive substance, such as: chemical plant and stockyard etc.
 3. The place has poor temperature conditions, large-scale temperature variation, which would easily lead to broken and damage the product, the applicable operating temperature is between -30 and 60 degrees.

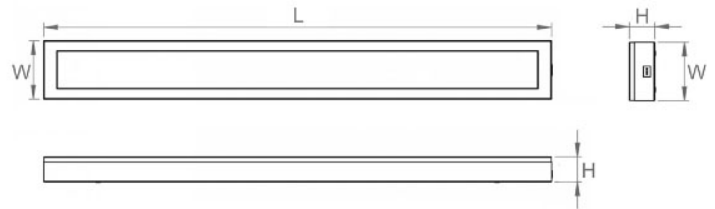
Features

- Unique patent design, CE, ROHS listed .
- Water-proof , Dust-proof, Damp-proof, Vapor - proof ,
- Low light decay, L70=50,000 Hours .
- High impact test , IK10.
- Long lifespan 50,000 hours.
- Energy saving up to 80%
- 5 years warranty.
- AC100-277V

Application

- Railway Station
- Warehouse

Dimension



| | L | W | H |
|-------------|------|-----|------|
| LU-PHB-110W | 606 | 320 | 52.5 |
| LU-PHB-165W | 606 | 440 | 52.5 |
| LU-PHB-225W | 1165 | 440 | 52.5 |

GENERAL TECHNICAL SPECIFICATIONS

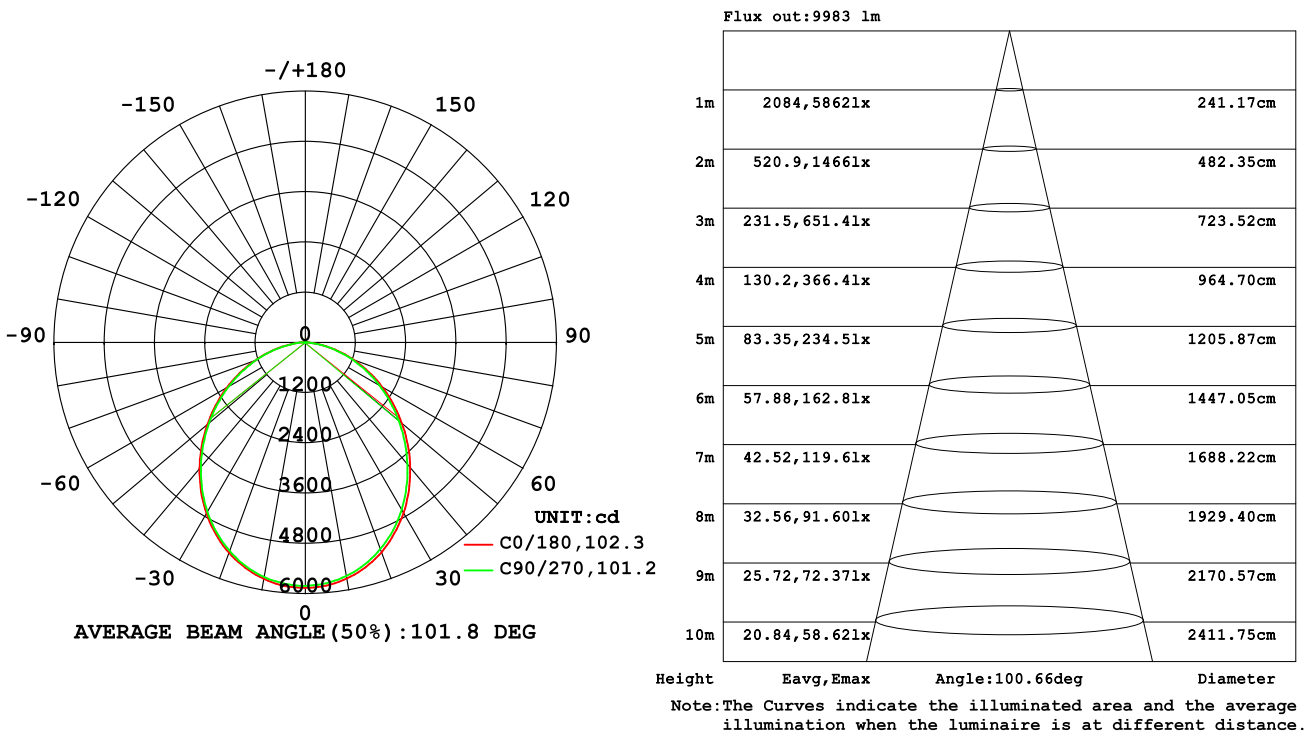
| | |
|----------------------------------|--|
| Supply Voltage | 220-240V AC / 100-270V AC |
| Supply Frequency | 50-60 Hz |
| RFI Suppression | EN 55015 / CISPR 15 |
| Immunity | EN 61547 |
| Harmonics | EN 6100-3-2 |
| Operating Temperature* | -35 - +50 °C |
| Storage Temperature | -40 - +60 °C |
| Housing material | 0.88 mm powder coated steel |
| Enclosure Rating | IP65 |
| Lid material*** | PMMA |
| Cable gland**** | PG 13.5 or STUCCHI (3-pole) fast plug optional |
| Impact Resistance | IK09 |
| Protection class IEC | Safety class I |
| LED Chip | Samsung Chips |
| Light colour K | 3000, 4000 , 5000 or 6000 |
| Colour Rendering Index | > 80 |
| Driver /power unit/ | AD Power |
| Flickering | IEEE 1789 |
| Power factor (full load at 230V) | > 0.98 |
| Driver efficiency | > 96% |
| Dimmable | Optional |
| Emergency pack | Optional |

Specification

| Model No. | Power | Dimension (mm) | Luminous E cacy (lm/w) | Luminous | CRI | Chips | Driver | Carton Size(cm) |
|-------------|-------|----------------|------------------------|----------|-----|---------|----------|-----------------|
| LU-PHB-110W | 110W | 606*320*52.5 | 140lm/W | 14850lm | >80 | Samsung | AD power | 62.2*33.5*68 |
| LU-PHB-165W | 165W | 606*440*52.5 | 140lm/W | 22275lm | >80 | Samsung | AD power | 62.2*44.5*68 |
| LU-PHB-225W | 225W | 1165*440*52.5 | 140lm/W | 30375lm | >80 | Samsung | AD power | 118*45.5*68 |

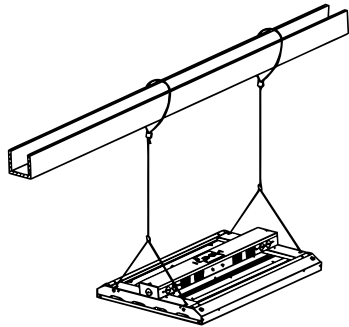
| DATA OF LAMP | | PHOTOMETRIC DATA | | | | Eff: 137.29 lm/W |
|-------------------|----------|-----------------------|--------|---------------------|-----------|------------------|
| MODEL | HIGH BAY | I _{max} (cd) | 5862 | S/MH (C0/180) | 1.20 | |
| NOMINAL POWER (W) | 110 | LOR (%) | 100.0 | S/MH (C90/270) | 1.20 | |
| RATED VOLTAGE (V) | 230 | TOTAL FLUX (lm) | 14846 | η UP, DN (C0-180) | 0.4, 49.0 | |
| NOMINAL FLUX (lm) | 14845.6 | CIE CLASS | DIRECT | η UP, DN (C180-360) | 0.3, 50.3 | |
| LAMPS INSIDE | 1 | η up (%) | 0.7 | CIBSE SHR NOM | 1.25 | |
| TEST VOLTAGE (V) | 230 | η down (%) | 99.3 | CIBSE SHR MAX | 1.35 | |

LUMINOUS INTENSITY DISTRIBUTION DIAGRAM

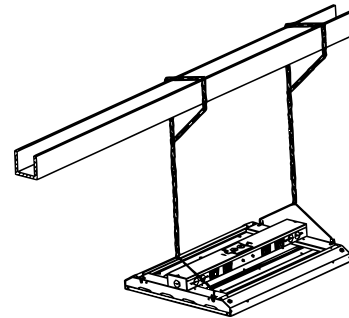


Installation

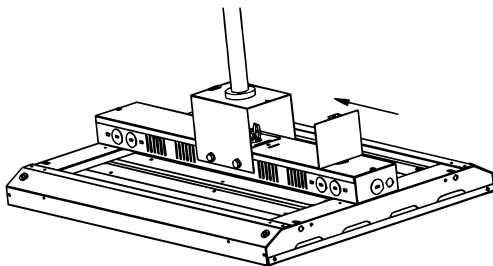
This Linear High Bay is best mounted via suspension using cable mount, pendant, or chain mount. Our lighting consultant can work with you to determine the optimal model for your mounting height.



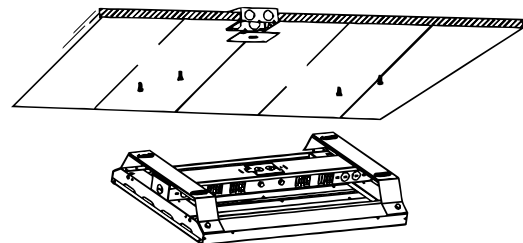
Cable Kit



Chain Mount



Pendant Mount



Surface Mount