

# LED Panel Light (UGR<19)



## Light Guide

Mitsubishi brand light guide with excellent uniformity > 80% high transmission rate diffuser



# SPECIFICATION

## LED Panel Light(UGR<19)



### Caution

- Please read the user manual before installation.
- Please install, connect and test the lamp according to local regulations, Lamps should always be installed or replaced with care by professional person.
- Ensure the power is switched off before installation.
- Please check whether the lamps are broken or not during shipping, broken items cannot be used anymore.
- Please keep the lamps and accessories away from kids to avoid hurt by mistakes.
- For protecting eyes, please do not watch the luminous surface for a long time,
- Do not cover anything on lamp and keep lamps away from fire or high temperature objects.
- Switch the power off and cool down the lamp before cleaning.
- The lamp is only suitable for weak acid and weak base environment.

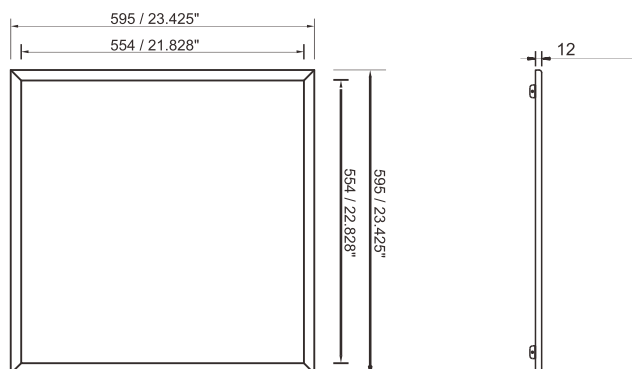
### Features

- The Luminance uniformity of the emitting surface is over 82%.
- All sides are lined with LED to ensure optimal illumination.
- High light output and reduced energy consumption of up to 50%.
- Wide angle of deflection with even light distribution.
- No start-up time, no humming.
- Independent LED circuit prevents complete blackout in case an LED fails.
- Environmentally friendly, no mercury and no lead.
- Causes no electromagnetic interference.
- UGR<19, Low glare design.

### Application

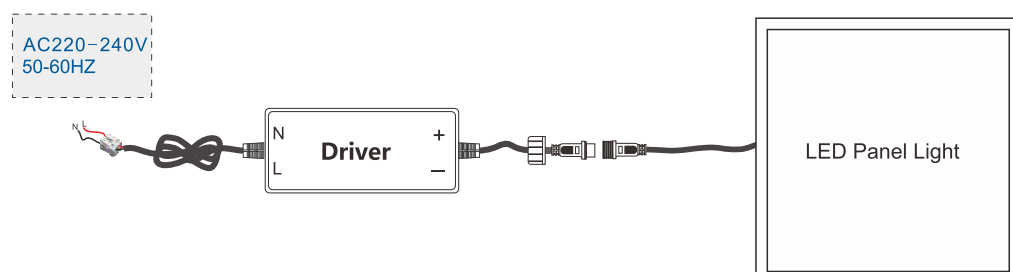
- Outdoor , Office , Restaurant
- Super Market , School

### Dimension

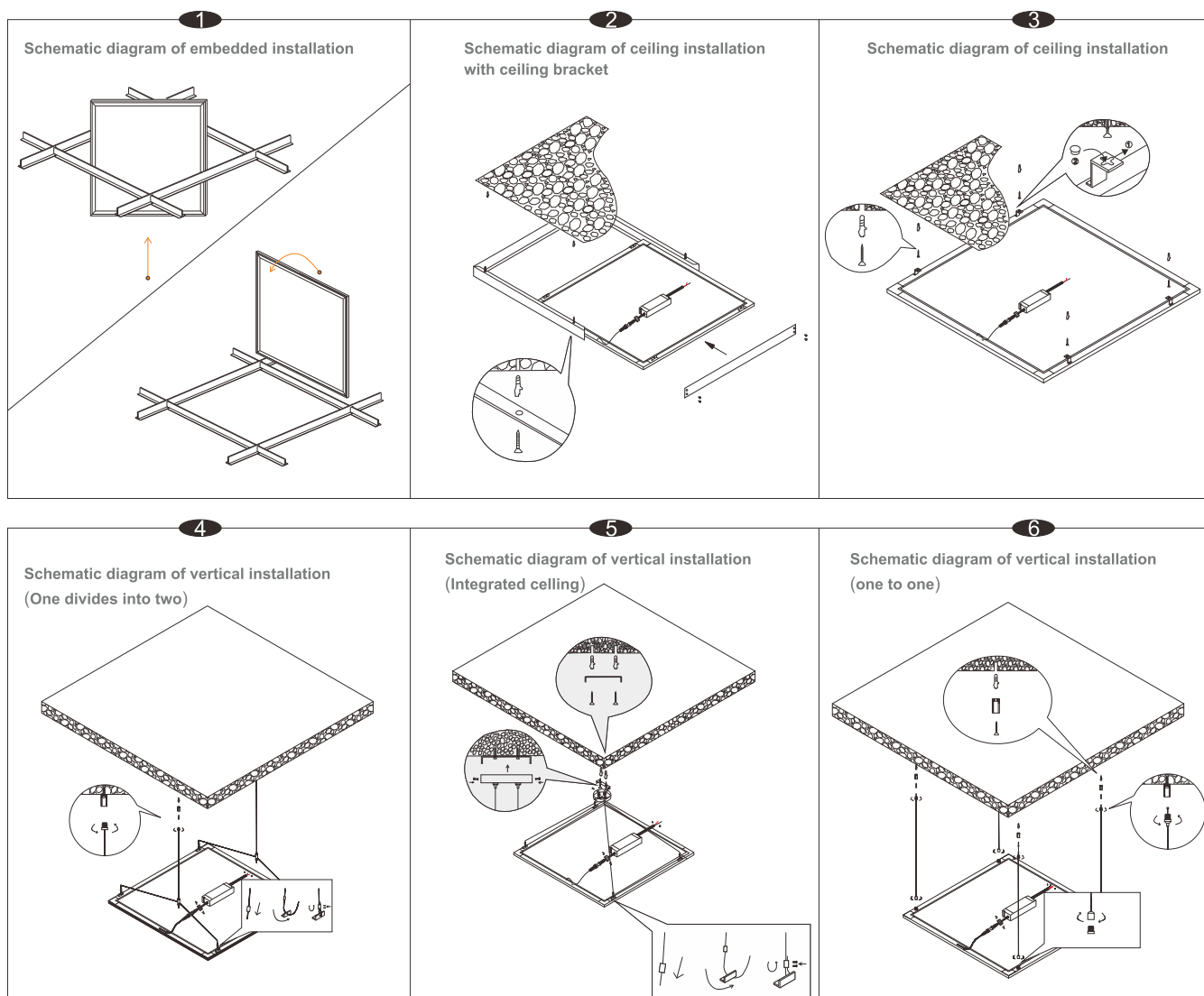


Aluminum Heat sink Temperature	70 ° C
Operating Temperature	-20~+40 ° C
Storage Temperature	-20~+60 ° C
Equilibrium Temperature	43 ° C

### Electrical Connection



# INSTALLATION INSTRUCTIONS



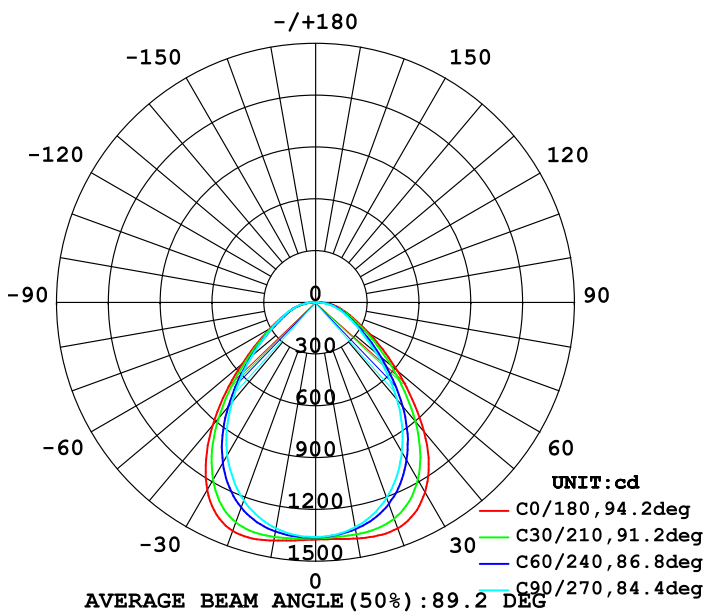
## Install instruction

1. Turn off the power switch.
2. Connect the output-terminal with utility power(AC 220-240V)by using wiring unit, make certain that no copper wire is bared.
3. Connect the output-terminal DC plug of current driver with the lamp's DC plug, insure this connection secure.
4. Put the panel light and current driver to the suitable place by convenient installation.
5. Turn on the power switch.

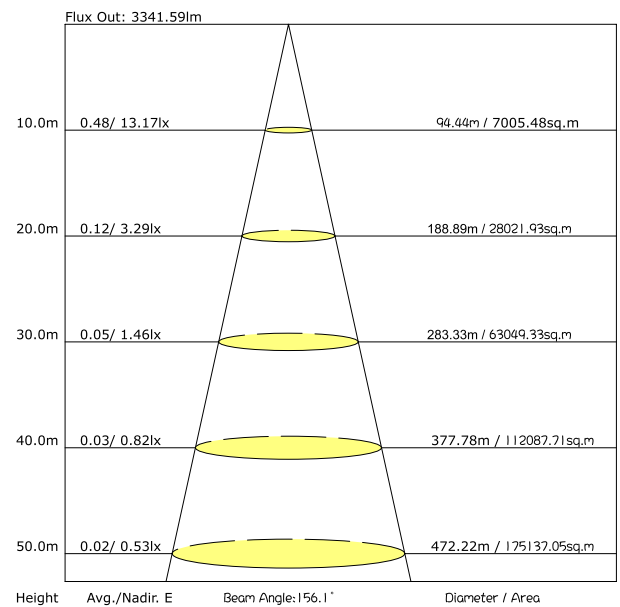
# PARAMETER

Model	LED Type	CCT	Rated Power Consumption	CRI	Luminous Flux	Working Voltage	Beam Angle
LU-6060-40WUGR	4014	3000K 4000K 6000K	40W	>80	4000lm	25-42V	120°
LU-6060-40WHUGR	4014	3000K 4000K 6000K	40W	>80	4800lm	25-42V	120°
LU-6262-40WUGR	4014	3000K 4000K 6000K	40W	>80	4000lm	25-42V	120°
LU-6262-40WHUGR	4014	3000K 4000K 6000K	40W	>80	4800lm	25-42V	120°

## Light Source Test Report



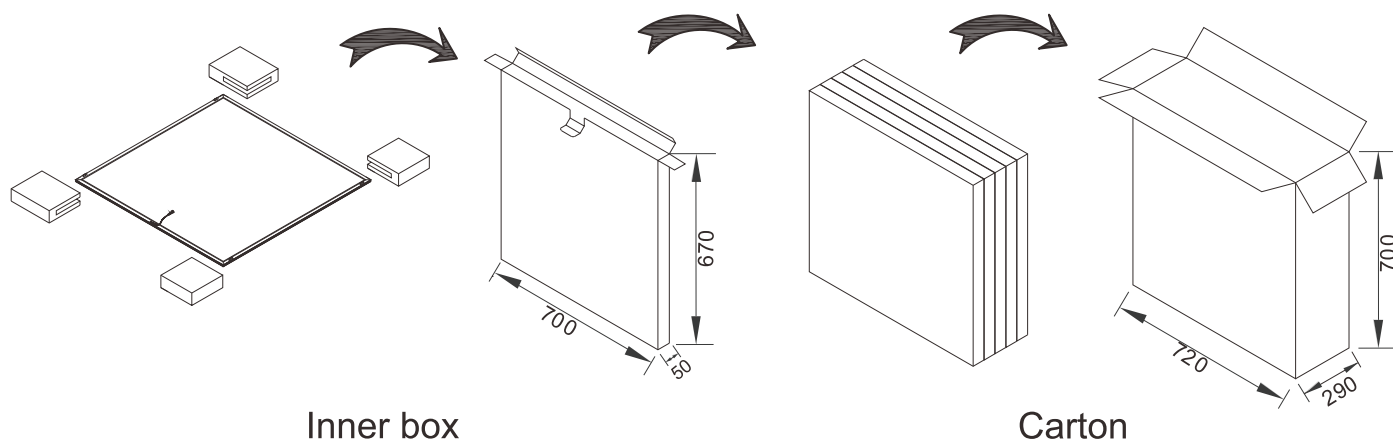
The Average Illuminance Effective Figure



C Plane (°):0.0-360.0: 45.0  
Test Lab:  
Test Type: TYPE C  
Temperature: 23.3  
Operator:

Gamma Plane ('):0.0-180.0:1.0  
Test Device: GPM-1600  
Distance: 6.495 m  
Humidity: 60  
Inspector:

# Packing



Model	Inner box(cm)	QTY/CTN	N.W./PCS(kg)	G.W./CTN(kg)	Carton(cm)
LU-6060-40W	63*67*5	5	4.1	18	63*20*67.5

Corner Gap-free Details