

IP66 LED Triproof Light (Series B & B Pro)



Available for



MOTION SENSOR



ErP Approval



SPECIFICATION

IP 66 Triproof LED Light



Caution

- Please read the user manual before installation.
- Please install, connect and test the lamp according to local regulations, Lamps should always be installed or replaced with care by professional person.
- Ensure the power is switched off before installation.
- Please check whether the lamps are broken or not during shipping, broken items cannot be used anymore.
- Please keep the lamps and accessories away from kids to avoid hurt by mistakes.
- For protecting eyes, please do not watch the luminous surface for a long time,
- Do not cover anything on lamp and keep lamps away from fire or high temperature objects.
- Incorrect installation and using, keep the right to refuse after-sales service for those disassembled or repaired items.
- Switch the power off and cool down the lamp before cleaning.
- The lamp is only suitable for weak acid and weak base environment.

Features

- Water-proof, Dust-proof, Damp-proof, Pressure-proof.
- High luminous efficiency 150LM/W.
- Maximum 3M Long for single product .
- Excellent heat dissipation support stable quality.
- Convention installation for linking in series.
- Low light decay, L70=50,000 Hours.
- High impact test, IK08.
- Long lifespan 50,000 hours.
- Energy saving up to 80%.
- 5 years warranty.

Application

- | | |
|-------------------------------|-------------------|
| ➤ Parking place | ➤ Airport |
| ➤ Tunnel / Corridor / Gallery | ➤ Exhibition Hall |
| ➤ Railway / Bus / MTR Station | ➤ Supermarket |
| ➤ Warehouse / Factory | ➤ Gas station |

Temperature Characteristics T-ambient 40°C

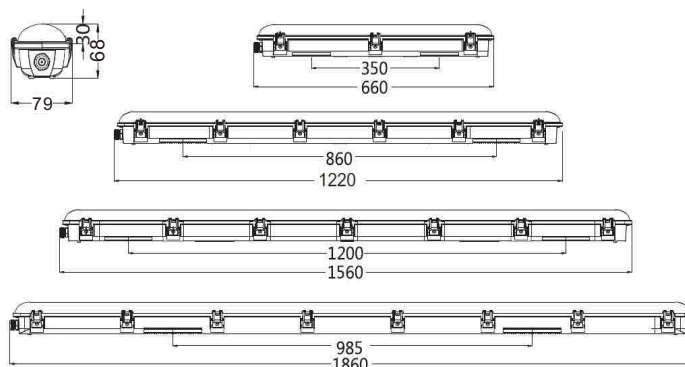
Temperature

Operating: -20 ~ +50°C

Storage: -40 ~ +85°C

PARAMETER

LU-TPB



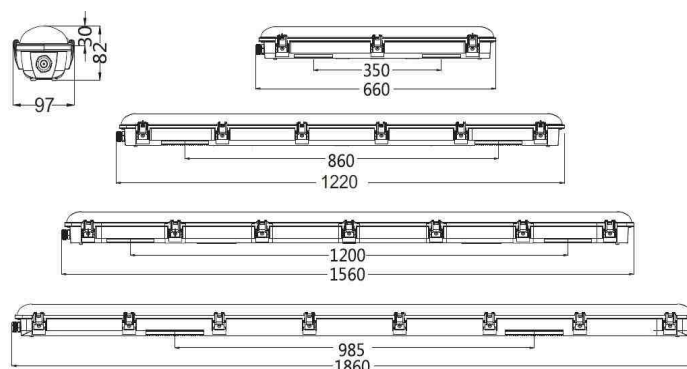
Model No.	LU-TPB-20W/40W/55W
Material	PC Body and AL Clips
Size(mm)	20W:650*79*68 40W:1220*79*68
	55W:1560*79*68
Input Voltage	AC220-240V
Power	20W/40W/55W
Chips	SMD2835
Driver	Osram Driver
P.F.	>0.9
Luminous Flux	2600/5200/7150lm
Luminous Efficiency	130lm/W Clear Cover
CRI	>85Ra
Beam Angle	120
IP Level	IP66
IK Level	08

• Options

- > LED Driver: Philips Xitanium series / Lifud AC90-277V series
- > Dimming: STD ON-OFF / Traic dimmable / 1-10V dimmable
- > Emergency: 3 hours intergrated emergency

PARAMETER

LU-TPB(PRO)



Model No.	LU-TPB(PRO)-20W/40W/60W
Material	PC Body and AL Clips
Size(mm)	20W:650*97*82 40W:1220*97*82
	60W:1560*97*82
Input Voltage	AC220-240V
Power	20W/40W/60W
Chips	SMD2835
Driver	Osram Driver
P.F.	>0.9
Luminous Flux	3000/6000/9000lm
Luminous Efficiency	150lm/W (Clear Cover)
CRI	>85Ra
Beam Angle	120
IP Level	IP66
IK Level	08

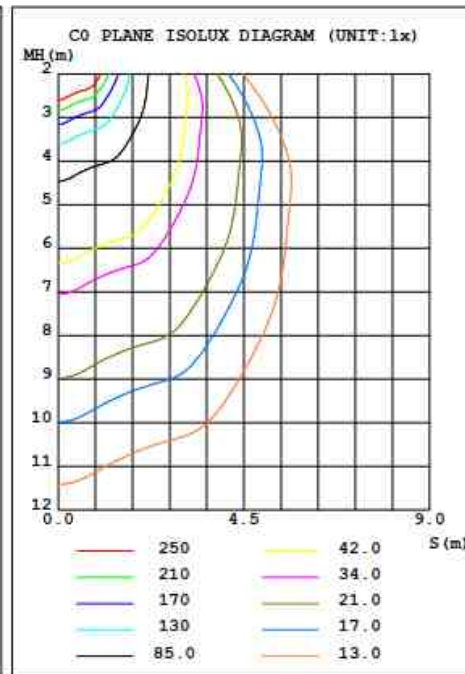
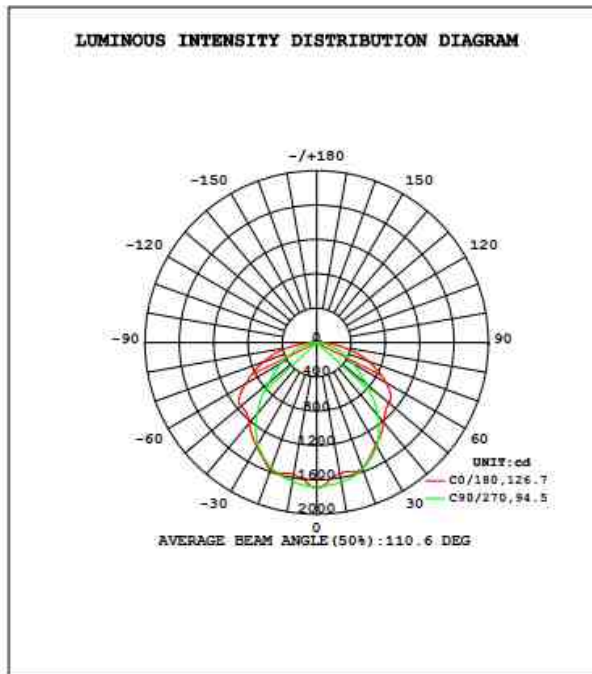
• Options

- > LED Driver: Philips Xitanium series / Lifud AC90-277V series
- > Dimming: STD ON-OFF / Traic dimmable / 1-10V dimmable
- > Emergency: 3 hours intergrated emergency

PARAMETER

LU-TPB(PRO) Miky Cover

DATA OF LAMP		PHOTOMETRIC DATA				Eff: 147.40 lm/W
MODEL	LU-TPB-40W	I _{max} (cd)	1693	S/MH (C0/180)	1.24	
NOMINAL POWER (W)	40	LOR (%)	100.0	S/MH (C90/270)	1.22	
RATED VOLTAGE (V)	230	TOTAL FLUX (lm)	5139.1	η UP, DN (C0-180)	1.7, 48.6	
NOMINAL FLUX (lm)	5139.14	CIE CLASS	DIRECT	η UP, DN (C180-360)	1.7, 48.0	
LAMPS INSIDE	1	η up (%)	3.4	CIBSE SHR NOM	1.25	
TEST VOLTAGE (V)	230	η down (%)	96.6	CIBSE SHR MAX	1.35	



Flux out: 2718 lm

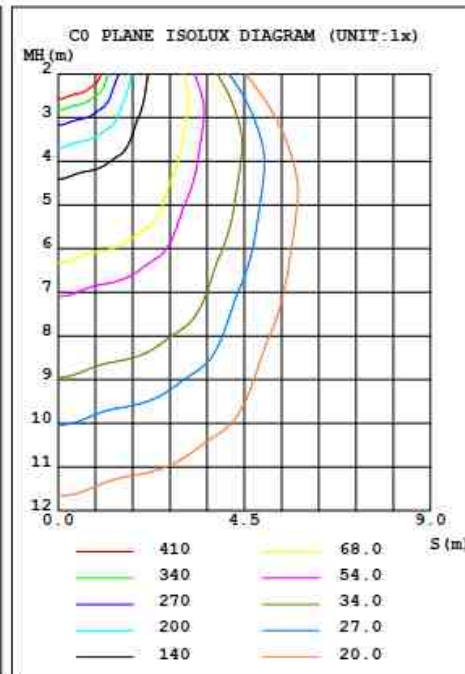
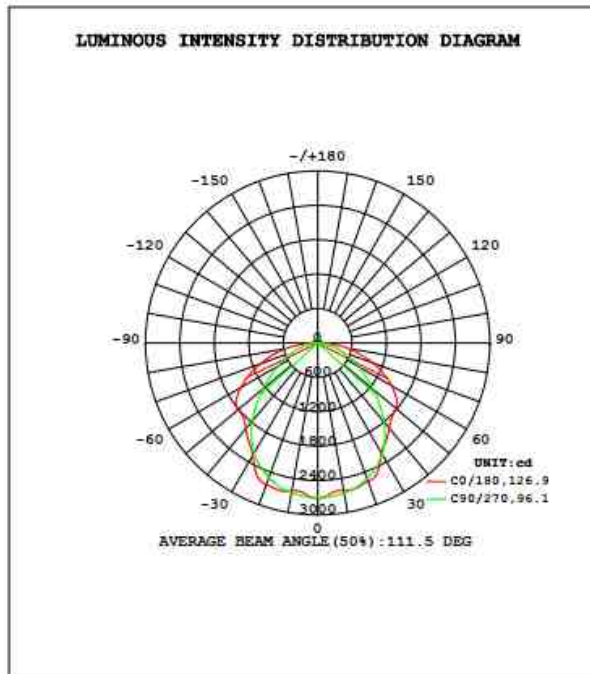
Height	E _{avg} , E _{max}	Angle: 94.14deg	Diameter
1m	701.5, 1693lx		214.99cm
2m	175.4, 423.4lx		429.98cm
3m	77.95, 188.2lx		644.97cm
4m	43.84, 105.8lx		859.96cm
5m	28.06, 67.7lx		1074.95cm
6m	19.49, 47.0lx		1289.94cm
7m	14.32, 34.5lx		1504.93cm
8m	10.96, 26.4lx		1719.92cm
9m	8.661, 20.9lx		1934.92cm
10m	7.015, 16.9lx		2149.91cm

Note: The Curves indicate the illuminated area and the average illumination when the luminaire is at different distance.

PARAMETER

LU-TPB(PRO) Miky Cover

DATA OF LAMP		PHOTOMETRIC DATA <small>Eff: 148.96 lm/W</small>			
MODEL	LU-TPB-60W	Imax (cd)	2718	S/MH (C0/180)	1.24
NOMINAL POWER (W)	60	LOR (%)	100.0	S/MH (C90/270)	1.22
RATED VOLTAGE (V)	230	TOTAL FLUX (lm)	8432.5	η UP, DN (C0-180)	1.7, 48.4
NOMINAL FLUX (lm)	8432.49	CIE CLASS	DIRECT	η UP, DN (C180-360)	1.7, 48.3
LAMPS INSIDE	1	η up (%)	3.3	CIBSE SHR NOM	1.25
TEST VOLTAGE (V)	230	η down (%)	96.7	CIBSE SHR MAX	1.35



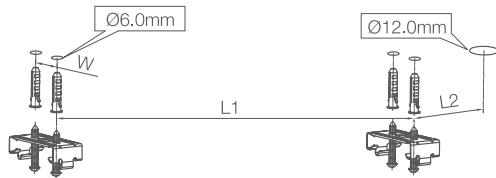
Flux out: 4509 lm

Height	Eavg, Emax	Angle: 95.83deg	Diameter
1m	1164, 2718lx		221.45cm
2m	290.9, 679.6lx		442.90cm
3m	129.3, 302.0lx		664.34cm
4m	72.72, 169.9lx		885.79cm
5m	46.54, 108.7lx		1107.24cm
6m	32.32, 75.5lx		1328.69cm
7m	23.75, 55.4lx		1550.13cm
8m	18.18, 42.4lx		1771.58cm
9m	14.36, 33.5lx		1993.03cm
10m	11.64, 27.1lx		2214.48cm

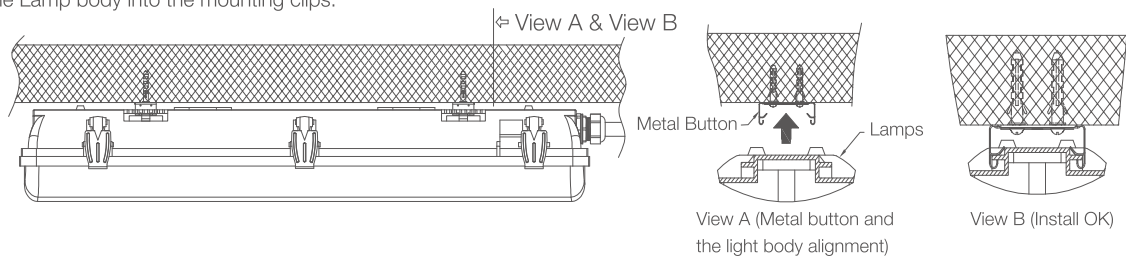
Note: The Curves indicate the illuminated area and the average illumination when the luminaire is at different distance.

INSTALLATION INSTRUCTIONS

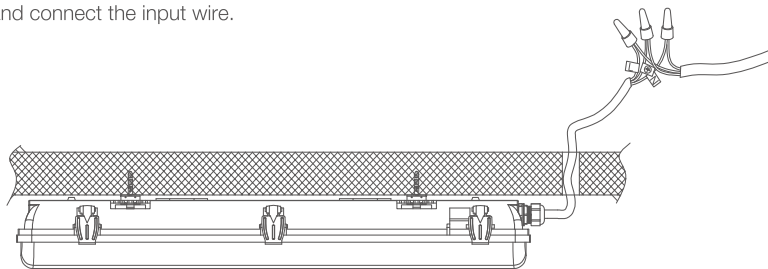
1. Seat the fixing clips to the mounting surface according to the dimension instruction.



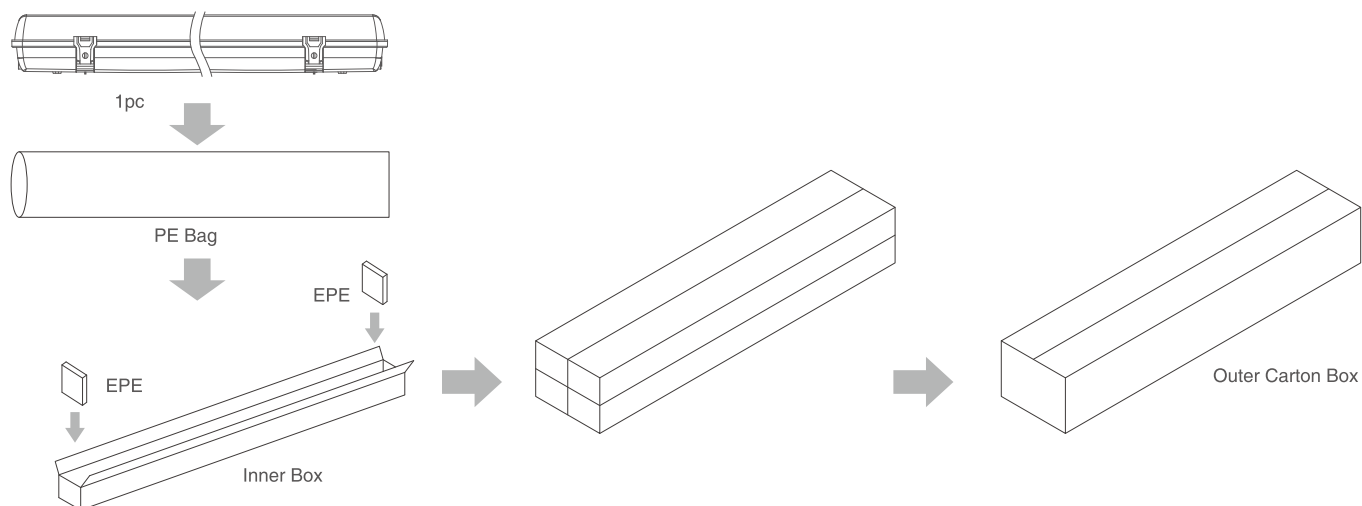
2. Push the Lamp body into the mounting clips.



3. Turn off the power and connect the input wire.



Package



Item	Dimension	Carton Size	Pcs/Ctn	G.W
LU-TPB-20W	600mm/2ft	68*29*26	9	11.0KG
LU-TPB-40W	1200mm/4ft	125*29*26	9	17.0KG
LU-TPB-55W	2400mm/8ft	155*29*26	9	20.0KG
LU-TPB(pro)-20W	600mm/2ft	70*32*29	9	12.0KG
LU-TPB(pro)-40W	1200mm/4ft	128*32*29	9	19.0KG
LU-TPB(pro)-60W	2400mm/8ft	158*32*29	9	23.0KG