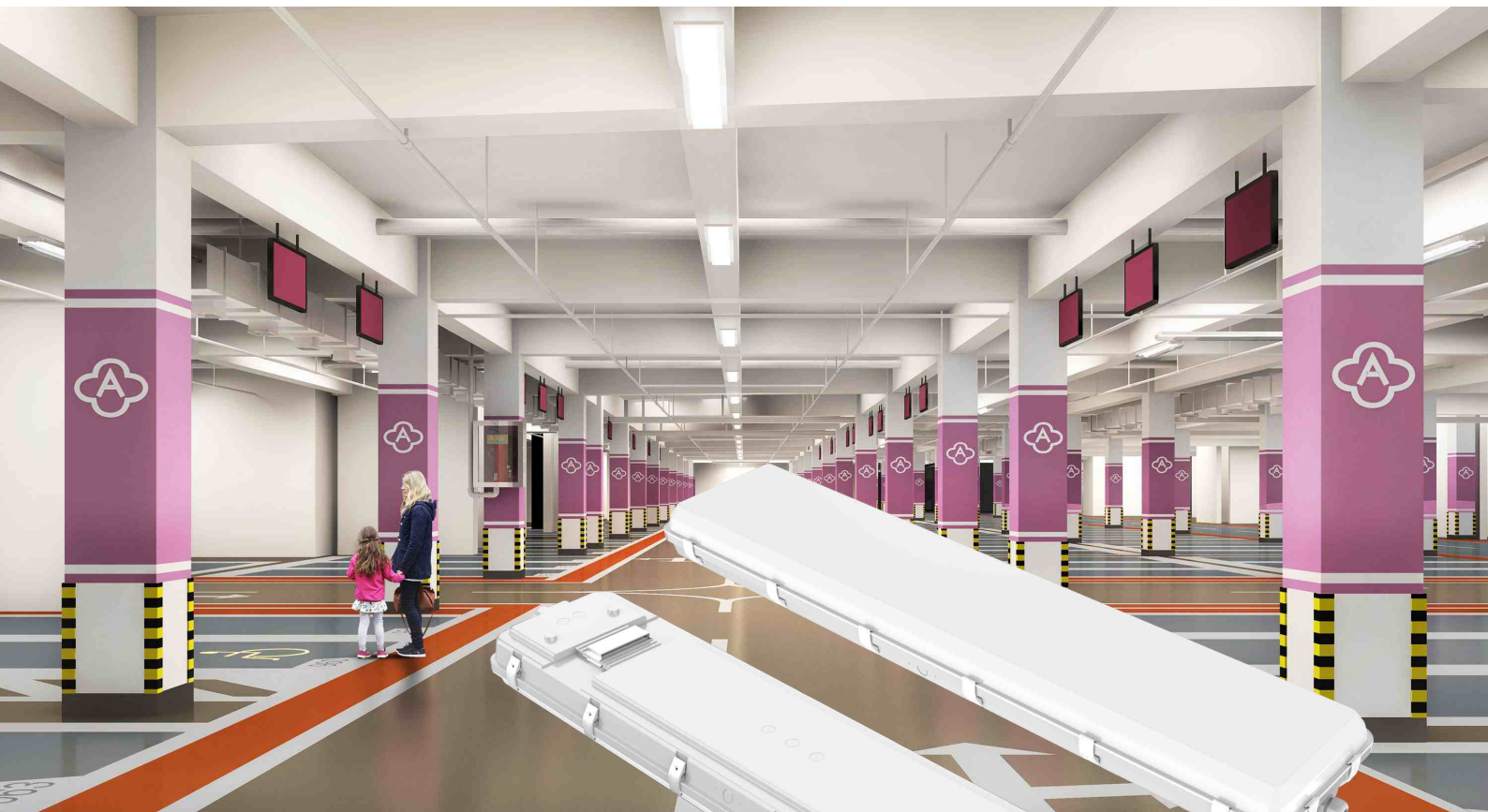


IP66 LED Triproof Light (Series W)



1200mm 100W 160lm/W
1200mm 120W 160lm/W



PHILIPS

LIFUD



Available for

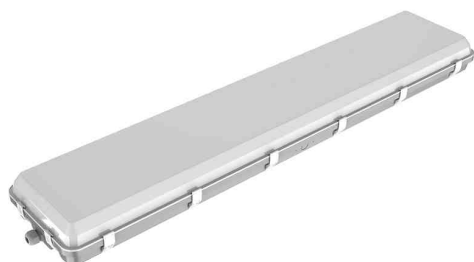


MOTION SENSOR



SPECIFICATION

IP 66 Triproof LED Light



Caution

- Please read the user manual before installation.
- Please install, connect and test the lamp according to local regulations, Lamps should always be installed or replaced with care by professional person.
- Ensure the power is switched off before installation.
- Please check whether the lamps are broken or not during shipping, broken items cannot be used anymore.
- Please keep the lamps and accessories away from kids to avoid hurt by mistakes.
- For protecting eyes, please do not watch the luminous surface for a long time,
- Do not cover anything on lamp and keep lamps away from fire or high temperature objects.
- Incorrect installation and using, keep the right to refuse after-sales service for those disassembled or repaired items.
- Switch the power off and cool down the lamp before cleaning.
- The lamp is only suitable for weak acid and weak base environment.

Features

- Water-proof, Dust-proof, Damp-proof, Pressure-proof.
- High luminous efficiency 160LM/W.
- Maximum 3M Long for single product .
- Excellent heat dissipation support stable quality.
- Convention installation for linking in series.
- Low light decay, L70=50,000 Hours.
- High impact test, IK10.
- Long lifespan 50,000 hours.
- Energy saving up to 80%.
- 5 years warranty.

Application

- | | |
|-------------------------------|-------------------|
| ➤ Parking place | ➤ Airport |
| ➤ Tunnel / Corridor / Gallery | ➤ Exhibition Hall |
| ➤ Railway / Bus / MTR Station | ➤ Supermarket |
| ➤ Warehouse / Factory | ➤ Gas station |

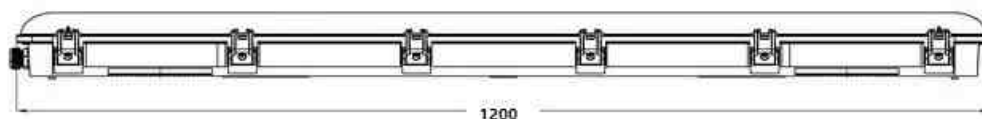
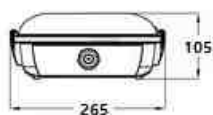
Temperature Characteristics T-ambient 40°C

Temperature

Operating: -20 ~ +50°C

Storage: -40 ~ +85°C

Dimension



PARAMETER

Model No.	LU-TPW
Material	PC Body and Steel Clips
Size(mm)	100W:1200*265*105mm
	120W:1200*265*105mm
Side Clip	16pcs
Install Size(LF)	800mm
Input Voltage	Standard AC220-240V (110V Optional)
Power	100W/120W
Chips	SMD2835
Driver	Tridonic / Philips / Osram
P.F.	>0.9
Luminous Flux	16000lm / 20000lm
Luminous Efficiency	160lm/W
CRI	>85Ra
Beam Angle	120
IP Level	Ip66
IK Level	10

- Options

Emergency Pack: See in Emergency part
 Dimming: DALI / 0-10V/ Triac/ Wireless
 Sensor: PIR sensor / Motion Sensor

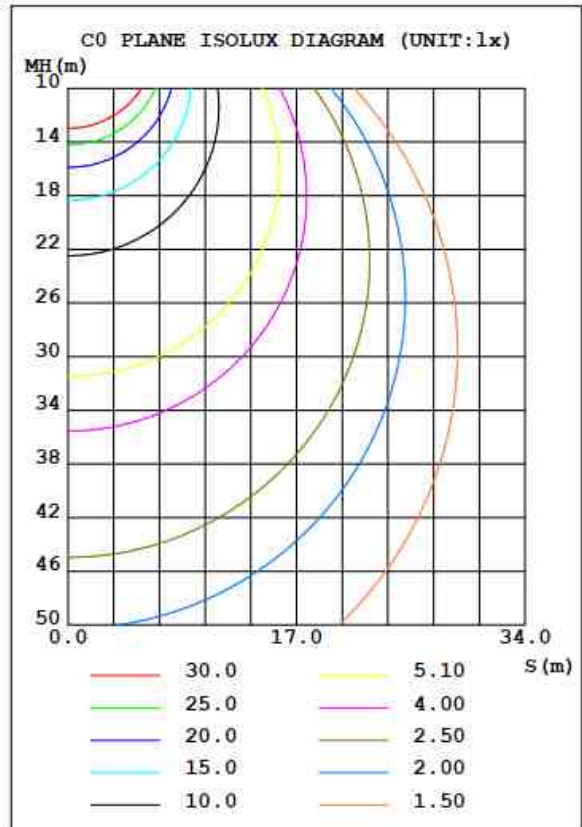
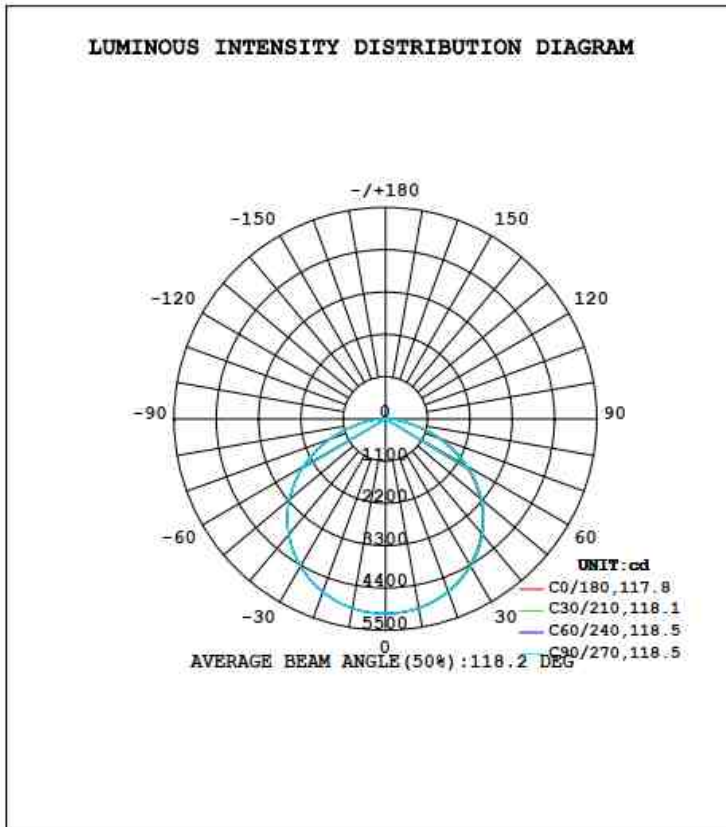
TEST REPORT

Model No.

LU-TPW-100W

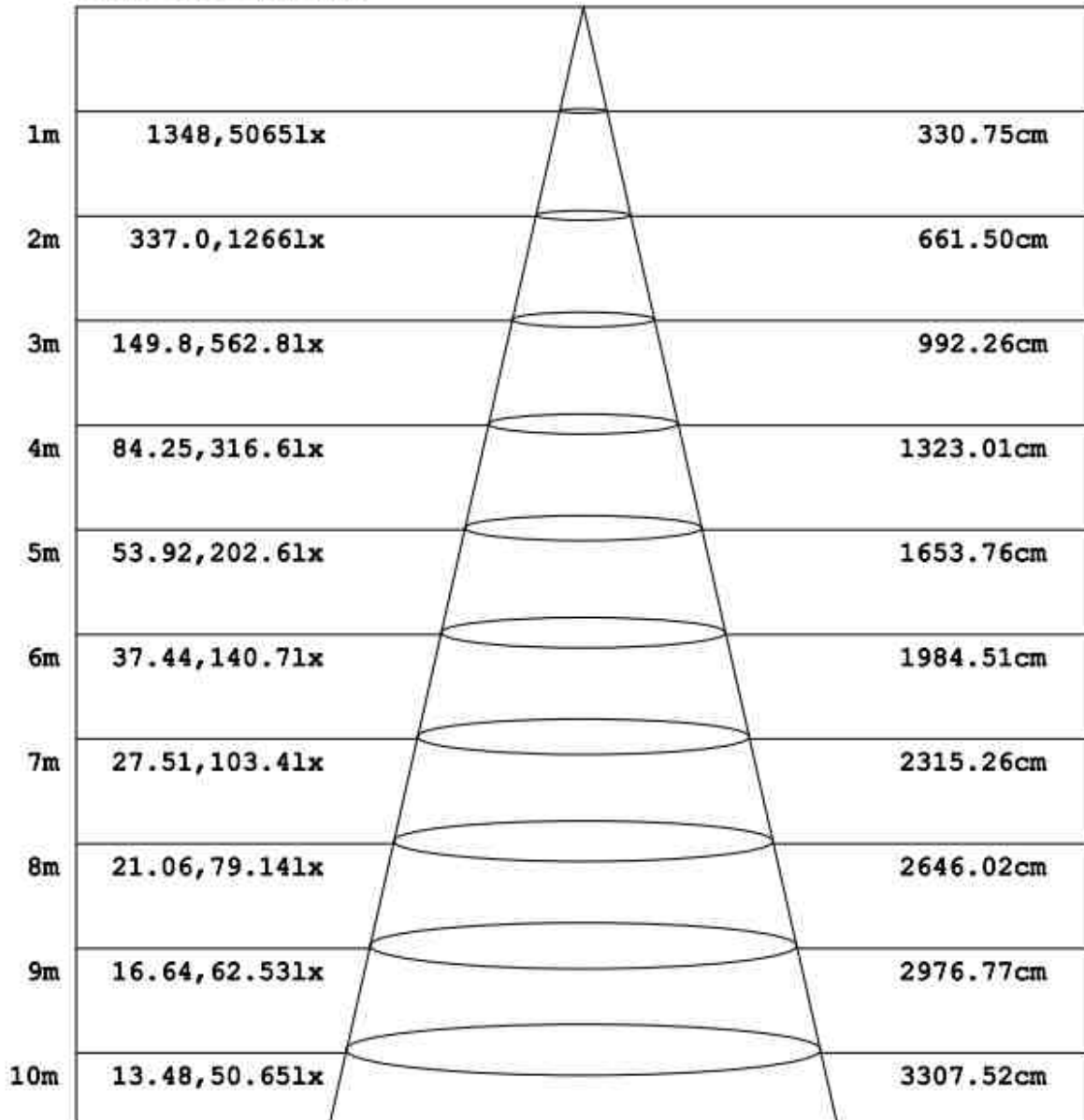
Test:U:230.09V I:0.4094A P:92.486W PF:0.9807 Freq:50.00Hz Lamp Flux:15336.4x1 lm		
NAME:	TYPE:	WEIGHT:
SPEC.:	DIM.:	SERIAL No.:BLD20211228P21
MFR.:	SUR.:0.3*1.2	Shielding Angle:

DATA OF LAMP		PHOTOMETRIC DATA			
MODEL	100W	Imax (cd)	5061	S/MH (C0/180)	1.30
NOMINAL POWER (W)		LOR (%)	100.0	S/MH (C90/270)	1.30
RATED VOLTAGE (V)	230	TOTAL FLUX (lm)	15336	η UP, DN (C0-180)	0.0,50.0
NOMINAL FLUX (lm)	15336.4	CIE CLASS	DIRECT	η UP, DN (C180-360)	0.0,50.0
LAMPS INSIDE	1	η up (%)	0.0	CIBSE SHR NOM	1.50
TEST VOLTAGE (V)		η down (%)	100.0	CIBSE SHR MAX	1.50



TEST REPORT

Flux out:11729 lm



Height Eavg, Emax Angle:117.68deg Diameter

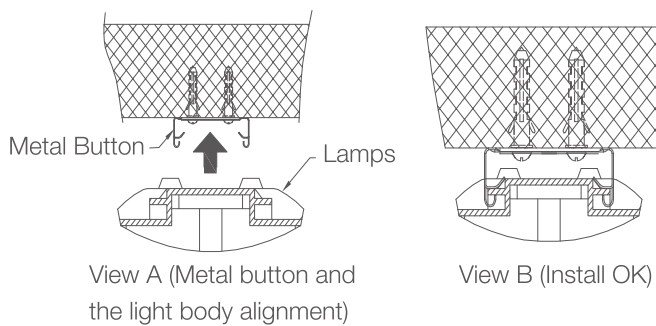
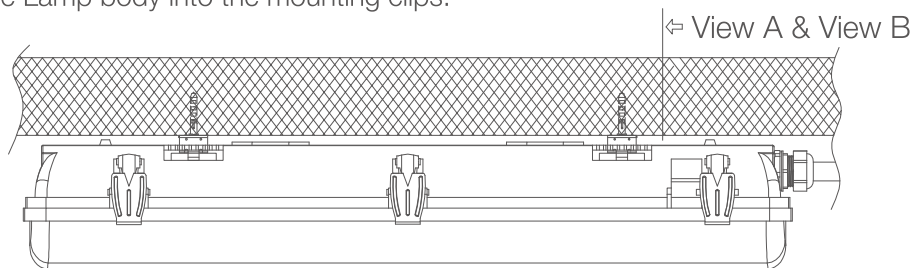
Note: The Curves indicate the illuminated area and the average illumination when the luminaire is at different distance.

INSTALLATION INSTRUCTIONS

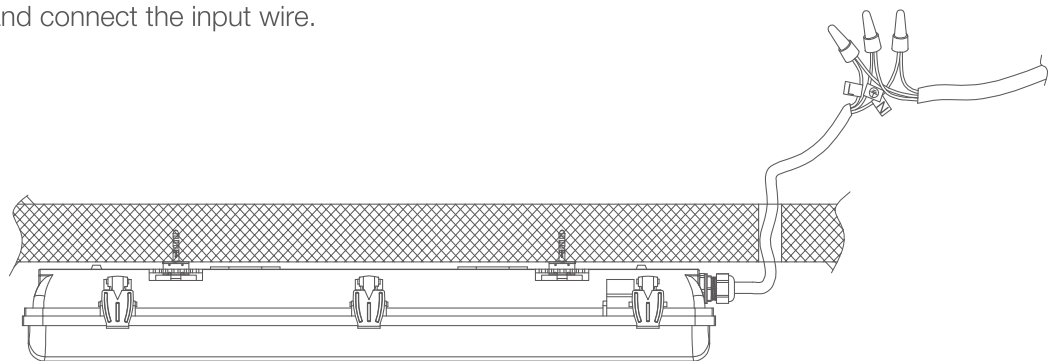
1. Seat the fixing clips to the mounting surface according to the dimension instruction.



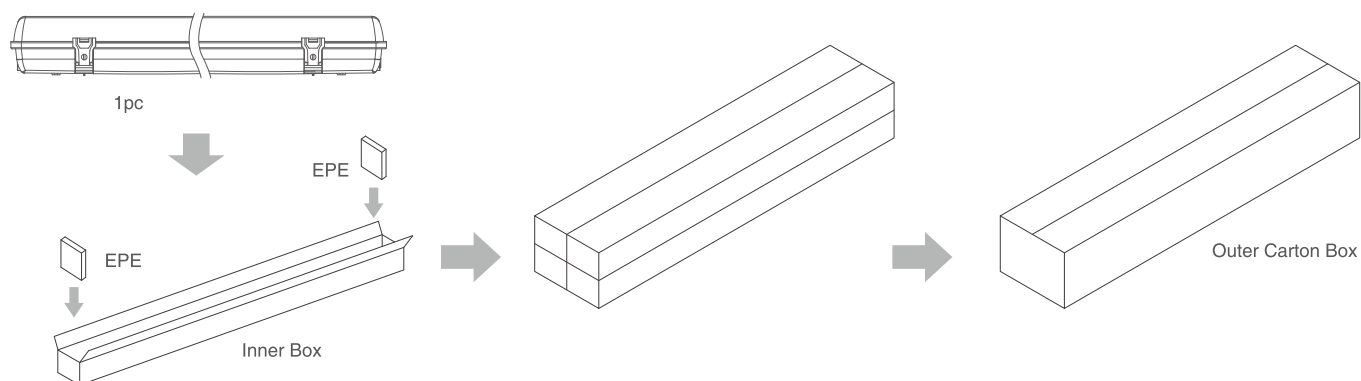
2. Push the Lamp body into the mounting clips.



3. Turn off the power and connect the input wire.



PACKAGE



Item	Dimension	Carton Size	Pcs/Ctn	G.W	N.W/Pcs
LU-TPW-100W	1200mm/4ft	125*28*11cm	1	7.5kg	7.2kg
LU-TPW-120W	1200mm/4ft	125*28*11cm	1	7.5kg	7.2kg