

# FLE SERIES LED FLOOD Light



*Light up your life*

[www.luccalight.com](http://www.luccalight.com)

# SPECIFICATION

## Flood light Series FLE



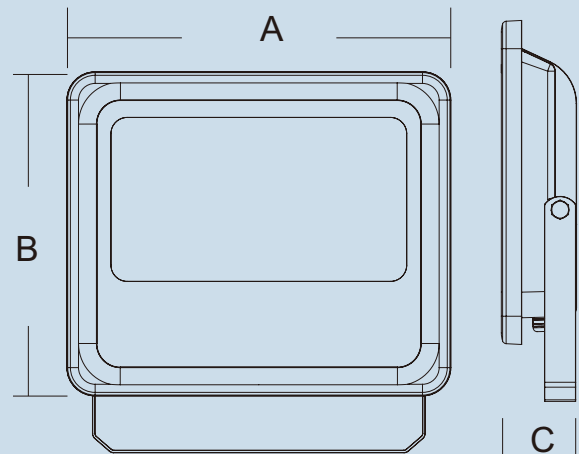
### Features

- > The Luminance uniformity of the emitting surface is over 90%.
- > High light output and reduced energy consumption of up to 50%.
- > Wide angle of deflection with even light distribution.
- > No start-up time, no humming.
- > Independent LED circuit prevents complete blackout in case an LED fails.
- > Environmentally friendly, no mercury and no lead.
- > Causes no electromagnetic interference.

### Application

- > Building Out Wall / Stadium
- > Airport / Hotel
- > Park / Bridge

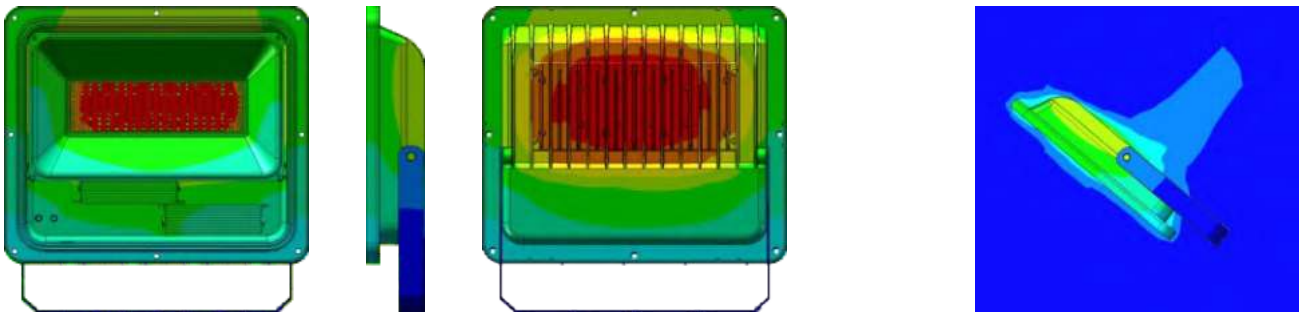
### Dimension



Model	A(mm)	B(mm)	C(mm)
LU-FLE-10W	124	110	37
LU-FLE-20W	146	126	37
LU-FLE-30W	195	165	40
LU-FLE-50W	230	195	57
LU-FLE-100W	297	250	57
LU-FLE-150W	355	290	57
LU-FLE-200W	428	328	65
LU-FLE-300W	500	400	65
LU-FLE-500W	651	400	70

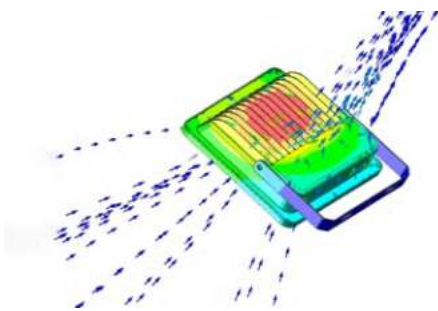
# THERMAL MANAGEMENT

Structure is optimized by advanced FEA technology. Achieving longer lifespan at best cost-efficiency.

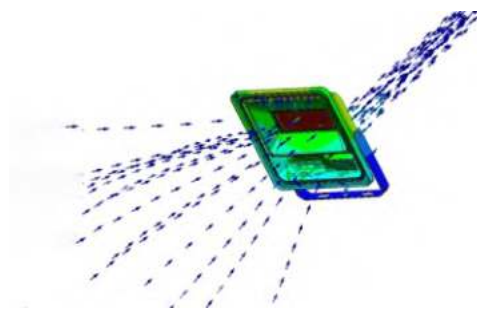


Thermal Conductivity

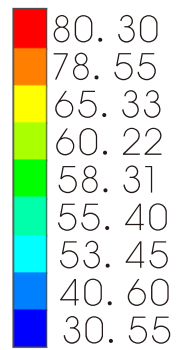
Thermal Effects to Air



Thermal Air Convection

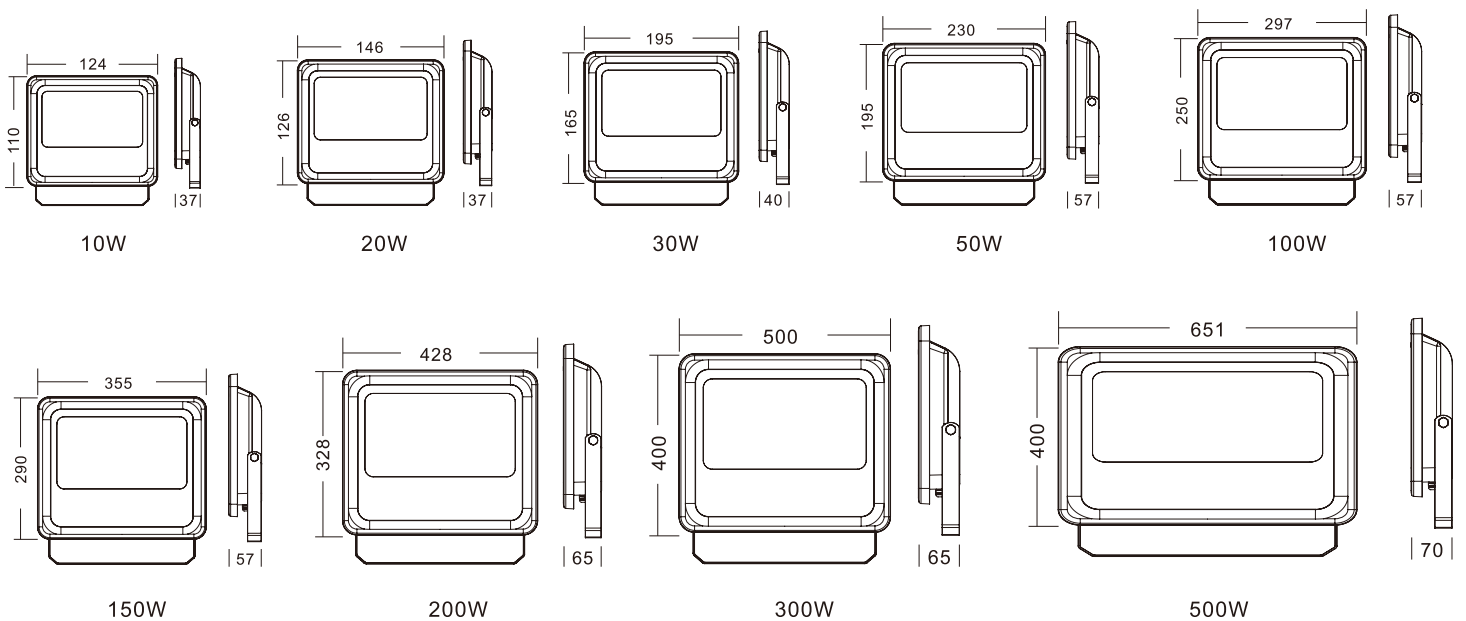


Thermal Air Convection



Unit: °C

# LINE DRAWING



# EXPLODED

Iron Bracket

Die-casting Aluminum Housing

Aluminum PCB

2835/3030 SMD LED Chips

IP66 Waterproof LED Driver

PC Reflector

Waterproof Silicon Rubber

Tempered Glass

Aluminum Frame

# OPTIONAL CHIPS



TYPE A  
SMD



TYPE B  
SMD with lens



TYPE C  
COB



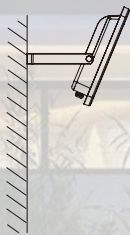
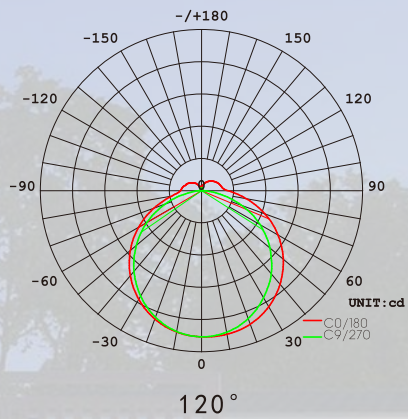
TYPE D  
NEW COB

# APPLICATION

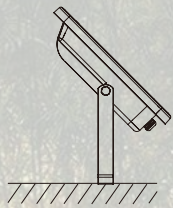
## Widely Applicable

Courtyards, aisles, factories, squares, parks and similar places.

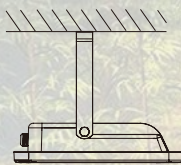
Luminous Intensity Distribution Curve



Wall Mounted



Floor Mounted



Ceiling Mounted



Pole Mounted



## TYPE A SMD



Model No.	LU-FLE-10W	LU-FLE-20W	LU-FLE-30W	LU-FLE-50W	LU-FLE-100W	LU-FLE-150W	LU-FLE-200W	LU-FLE-300W	LU-FLE-500W
Rate Power	10W	20W	30W	50W	100W	150W	200W	300W	500W
Lamp Size(mm)	124*110*37	146*126*37	195*165*40	230*190*57	297*250*57	355*290*57	428*328*65	500*400*65	651*400*70
Material	Die-casting aluminum Body + Glass Cover								
Finished	White /Grey/ Black								
Chips	Epistar SMD								
Driver	Hahga Driver								
Input Voltage	AC100-277V								
T.H.D.	<15%								
P.F.	>0.95								
Luminous Efficiency	100lm/W / 120lm/W								
Luminous Flux(100lm/W)	1000lm	2000lm	3000lm	5000lm	10000lm	15000lm	20000lm	30000lm	50000lm
Luminous Flux(120lm/W)	1200lm	2400lm	3600lm	6000lm	12000lm	18000lm	24000lm	36000lm	60000lm
CRI	>70Ra / >80Ra								
Beam Angle	60/90/120								
IP Level	IP66								
IK Level	IK10								
Input Wire	SJOW17AWGx3C&H05RN-F 1.0m <sup>2</sup> (30cm)								
Warranty	5year(50,000hr)								
Optional Function	Photocell / Motion sensor / 0-10V / DALI ...etc								



TYPE A  
SMD



TYPE B  
SMD with lens



TYPE C  
COB



TYPE D  
NEW COB

## TYPE B SMD with LENS



Model No.	LU-FLE-30W	LU-FLE-50W	LU-FLE-100W	LU-FLE-150W
Rate Power	30W	50W	100W	150W
Lamp Size(mm)	195*165*40	230*195*57	297*250*57	335*290*57
Material	Die-casting aluminum Body + Glass Cover			
Finished	White /Grey/ Black			
Chips	Epistar SMD			
Driver	Hahga Driver			
Input Voltage	AC100-277V			
T.H.D.	<15%			
P.F.	>0.95			
Luminous Efficiency	110lm/W / 130lm/W			
Luminous Flux(110lm/W)	3300lm	5500lm	11000lm	16500lm
Luminous Flux(130lm/W)	3900lm	6500lm	13000lm	19500lm
CRI	>70Ra / >80Ra			
Beam Angle	60/90/120			
IP Level	IP66			
IK Level	IK10			
Input Wire	SJOW17AWGx3C&H05RN-F 1.0m <sup>2</sup> (30cm)			
Warranty	5year(50,000hr)			
Optional Function	Photocell / Motion sensor / 0-10V / DALI ...etc			



# PARAMETER

## TYPE C COB



Model No.	LU-FLE-10W	LU-FLE-20W	LU-FLE-30W	LU-FLE-50W	LU-FLE-100W	LU-FLE-150W	LU-FLE-200W	LU-FLE-300W
Rate Power	10W	20W	30W	50W	2*50W	3*50W	4*50W	6*50W
Lamp Size(mm)	124*110*37	146*126*37	195*165*40	230*190*57	297*250*57	355*290*57	428*328*65	500*400*65
Material	Die-casting aluminum Body + Glass Cover							
Finished	White /Grey/ Black							
Chips	Epistar SMD							
Driver	Hahga Driver							
Input Voltage	AC100-277V							
T.H.D.	<15%							
P.F.	>0.95							
Luminous Efficiency	80lm/W / 100lm/W							
Luminous Flux(80lm/W)	800lm	1600lm	2400lm	4000lm	8000lm	12000lm	16000lm	24000lm
Luminous Flux(100lm/W)	1000lm	2000lm	3000lm	5000lm	10000lm	15000lm	20000lm	30000lm
CRI	>70Ra / >80Ra							
Beam Angle	60/90/120							
IP Level	IP66							
IK Level	IK10							
Input Wire	SJOW17AWGx3C&H05RN-F 1.0m <sup>2</sup> (30cm)							
Warranty	5year(50,000hr)							
Optional Function	Photocell / Motion sensor / 0-10V / DALI ...etc							



TYPE A  
SMD



TYPE B  
SMD with lens



TYPE C  
COB



TYPE D  
NEW COB

## TYPE D NEW COB



Model No.	LU-FLE-50W	LU-FLE-100W	LU-FLE-150W	LU-FLE-200W	LU-FLE-300W	LU-FLE-400W	LU-FLE-500W
Rate Power	50W	2*50W	3*50W	4*50W	6*50W	8*50W	10*50W
Lamp Size(mm)	230*190*57	297*250*57	355*290*57	428*328*65	500*400*65	651*400*70	651*400*70
Material	Die-casting aluminum Body + Glass Cover						
Finished	White /Grey/ Black						
Chips	Epistar SMD						
Driver	Hahga Driver						
Input Voltage	AC100-277V						
T.H.D.	<15%						
P.F.	>0.95						
Luminous Efficiency	80lm/W / 100lm/W						
Luminous Flux(80lm/W)	4000lm	8000lm	12000lm	16000lm	24000lm	32000lm	40000lm
Luminous Flux(100lm/W)	5000lm	10000lm	15000lm	20000lm	30000lm	40000lm	50000lm
CRI	>70Ra / >80Ra						
Beam Angle	60/90/120						
IP Level	IP66						
IK Level	IK10						
Input Wire	SJOW17AWGX3C&H05RN-F 1.0m <sup>2</sup> (30cm)						
Warranty	5year(50,000hr)						
Optional Function	Photocell / Motion sensor / 0-10V / DALI ...etc						



TYPE A  
SMD



TYPE B  
SMD with lens



TYPE C  
COB



TYPE D  
NEW COB

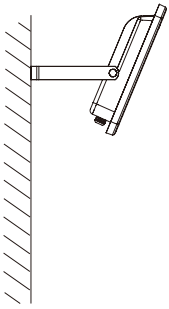
# SAFETY PARAMETER

Protection	
Output Short Circuit Protection	Burp,Auto-recover
Output Over-Voltage Protection	
Output Open Circuit Protection	Output Voltage<60Vdc
Over-heat Protection	
Safety Standard	GB19510.1,GB19510.14; EN61347-1,EN61347-2-13; UL8750,CSAC22.2No.250.13-12
Dielectric Strength	P-S:3750VAC/5MA/60s P-E:1500VAC/5mA/60s
Insulation Resistance	I/P-O/P:>50M Ohms / 500VDC/ 25°C /70%RH
Leakage Current	<0.25mA for Class 2 at max Input Voltage
EMI	GB17743,GB17625.1; EN55015,EN61000-3-2,EN61000-3-3,FCCClassB.
EMS	EN61000-4-2,3,4,5,6,8,11,EN61547.
Surge Immunity	6KV
Operating Temperature	-40°C~ 60°C
Operating Humidity	20 ~ 90 %RH
Storage Temperature	-40°C~ 85°C
Storage Humidity	20 ~ 90 %RH

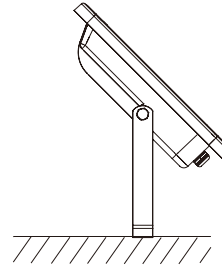
# PACKAGE

Model	Package Size(mm)	Pcs/Ctn	20'GP/pcs	40'GP/pcs	40'HQ/pcs
10W	680*245*270	50	32235	65582	75586
20W	470*245*310	30	24372	49585	57148
30W	420*240*390	20	13114	26681	30751
50W	725*345*230	15	6980	14740	17320
100W	620*345*285	10	4757	9678	11155
150W	380*345*325	50	3403	6924	7980
200W	435*345*85	1	2273	4625	5331
300W	505*41*85	1	1628	3312	3817
400/500W	690*425*130	1	761	1548	1784

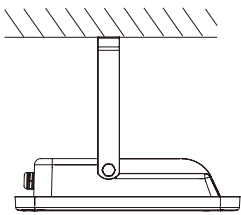
# INSTALLATION



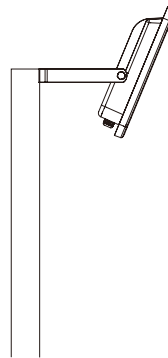
Wall Mounted



Floor Mounted



Ceiling Mounted



Pole Mounted

## CAUTIONS:

1. Installation must be done by professional electricians .
2. Do NOT take apart the product. It may be dangerous.
3. Do NOT stare at the light with naked eyes. It is harmful to eyes.
4. For outdoor lighting, waterproof measurements must be done for the cable terminals.

## WARRANTY

1. All LED Lights are warranted by the manufacturer to be free of defects in material and workmanship for 3 or 5 years( as per sale contracts).
2. Warranty becomes void if the products is modified, improperly installed or used, damaged by accident or neglect, or if any parts are improperly installed or replaced by the user.
3. During the warranty time, if the products fails at normal environment and applications, we should decide by our own to repair or replace without any charge.

