

# LUCR6068

LED CIRCULAR PENDANT LIGHT



Halo series LUCR6068 LED Circular Light was designed mainly for office, hotel, library, restaurant etc.,

This circular lighting with circular shade, excellent finished color, compact design, high lumen efficiency,.

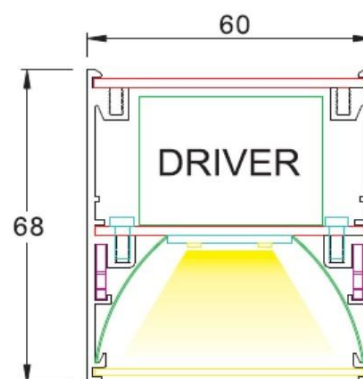
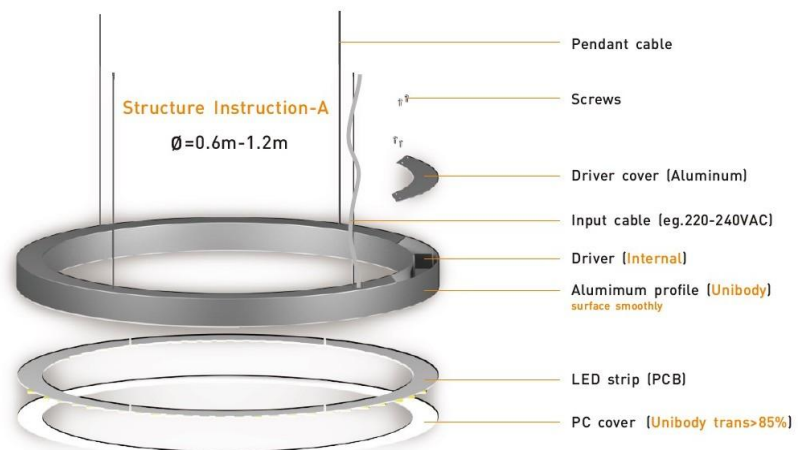
we supply 5 years quality warranty, unique connect system make it very easy for end customers to install and change LED drivers inside by themself.

## HALO SERIES



## Advantages

1. Patent Male and Female connector system in Die casting aluminum material helps connect different section, no light leak, easy connect, no need Rotate after fixed connector;
2. Compare to Iron/Steel housing, Halo series with Aluminum profile 6063-T5, more compact and stable;
3. Compare to Iron Housing, it will not get rust after 3-5 years application;
4. Halos series use constant current PCB, not LED strip light, light output more equal, more higher efficiency;
5. Halo series can be customized in larger diameter, like 6-10m diameter, available for different project requirement;
6. For different project, we can supply full data sheet with IES file for Dialux calculation;
7. Full enough stock for Halo series components, Fast lead time and well package;



## PART 1: GENERAL INFORMATION

### 1. Standard Size & Customized Size (Choose One)

Standard Diameter:	600mm	900mm	1200mm	1500mm	1800mm
Customized Diameter:	2400mm	3000mm	4000mm	5000mm	6000mm

HALO Series also available in other different diameter to suitable for different project requirement.

### 2. Basic Models (Choose One)

Code No.	Watt	Output	Driver	LED Chip	Product Size(Outside diameter*W*H)
LUCR6068-600mm	38W	3420lm(±5%)	TOP Brand Driver, TRIDONIC, OSRAM, MEANWELL, LIFUD	OSRAM 2835, LM80 Test report, CCT Available at 3000K/4000K/6000K	600*60*68mm
LUCR6068-900mm	55W	4950lm(±5%)			900*60*68mm
LUCR6068-1200mm	75W	6750lm(±5%)			1200*60*68mm
LUCR6068-1500mm	94W	8460lm(±5%)			1500*60*68mm
LUCR6068-1800mm	113W	10170lm(±5%)			1800*60*68mm
LUCR6068-2000mm	126W	11340lm(±5%)			2000*60*68mm
LUCR6068-2400mm	151W	13590lm(±5%)			2400*60*68mm
LUCR6068-3000mm	188W	16920lm(±5%)			3000*60*68mm
LUCR6068-4000mm	250W	22500lm(±5%)			4000*60*68mm
LUCR6068-5000mm	314W	28260lm(±5%)			5000*60*68mm

### 3. Optic Parameter (Choose One)

Light Beam Angle:	106°		IP Class:	IP20	
Input Voltage:	110-130V	220-240V			
CRI:	≥90	≥80			
CCT:	2700-3000K	4000-4500K	5000-5500K	6000-6500K	RGB, RGBW
Dimmer Fuction:	ON-OFF	0-10V	1-10V	DALI	Triac

### 4. Main Material & Surface Finishing

Body:	Extruded Aluminum AL6063-T5				
Diffuser:	PC Diffuser with 80% Transmittance				
PCB:	1.2mm thickness Aluminum PCB, Input 36V, Constant Current design				
Suspended Rope:	Black or Silver Stainless Steam 304 Wire Rope 2m(Other Length can be customized)				
Surface Finishing:	Matt White	Matt Black	Silver	Champagne Gold	Brushed Bronze
	RAL9003	RAL9004	RAL9016	RAL1000	Electrical plating

## PART 2: ADDITIONAL INFORMATION

### 1. Safety & Regulatory

CE, RoHS,

PCB, WAGO Connectors, Pendant Wire Components

### 2. Warranty

5 Years limited warranty (Warranty details available below temperature request)

### 3. Operating Temperature

Luminaire should be installed and operated only in dry environments where the ambient temperature ranges from - 35°C to 45°C.

Luminaire Operation in environments outside the listed temperature range voids the warranty and may damage the product or adversely impact lamp life, Lumen output and color consistency.

### 4. Weight & Package

Code No.	Ctn Length-cm	Ctn Width-cm	Ctn Height-cm	Pcs/ctn	G.W./ctn
LUCR6068-600mm	74.5	74.5	13.5	1	6kgs
LUCR6068-900mm	98.5	98.5	13.5	1	9kgs
LUCR6068-1200mm	129.5	129.5	13.5	1	12kgs
LUCR6068-1500mm	137.5	54	22	1	15kgs
LUCR6068-2000mm	154	57	20	1	17kgs
LUCR6068-2400mm	154	55	30	1	19kgs
LUCR6068-3000mm	152	30	35	1	21kgs
LUCR6068-4000mm	155	30	40	1	23kgs
LUCR6068-5000mm	162	35	45	1	25kgs

### 5. Available Mounting (Choose One)

Suspended

Surface mounted

Recessed(With / Without Trim, both available)

### 6. Driver installation

For No Dim function, driver normally internal installation

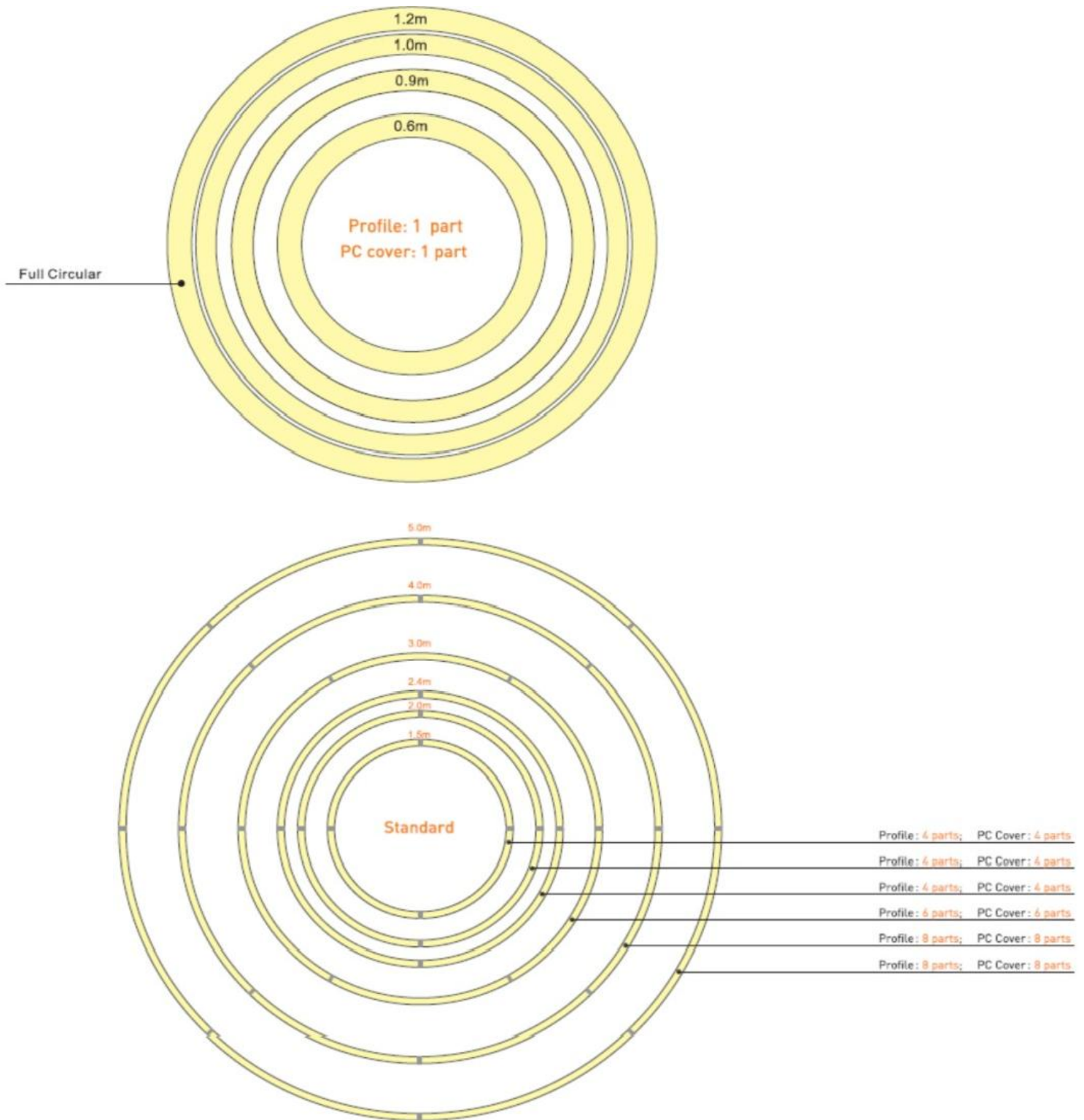
For 0-10V, 1-10V, DALI, Traic dim, driver need remote installation, in Ceiling canopy or in False ceiling

### 7. Which diameter can be shipped in whole fixtures.

For Diameter 600mm/900mm/1200mm, they can be shipped in whole fixtures.

For Diameter 1500mm/1800mm/2000mm/3000mm/4000mm/5000mm, they need to be shipped in 6-10 Sections

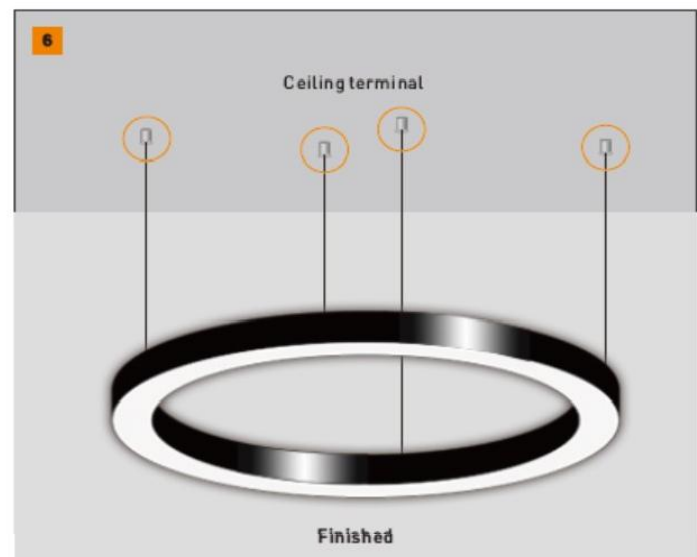
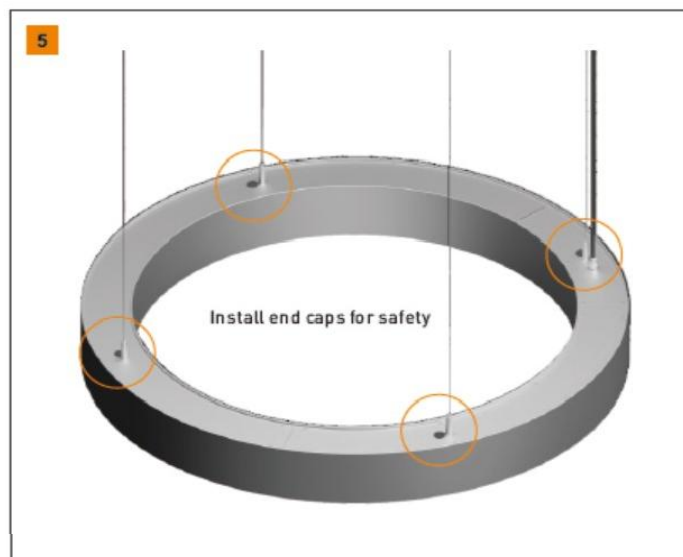
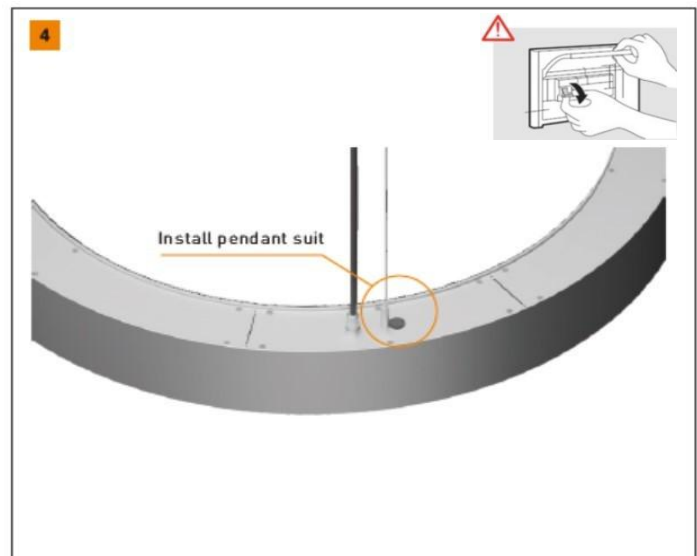
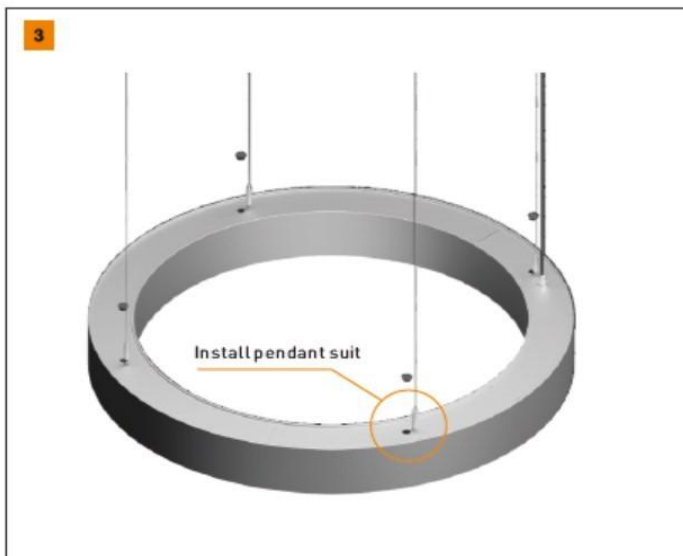
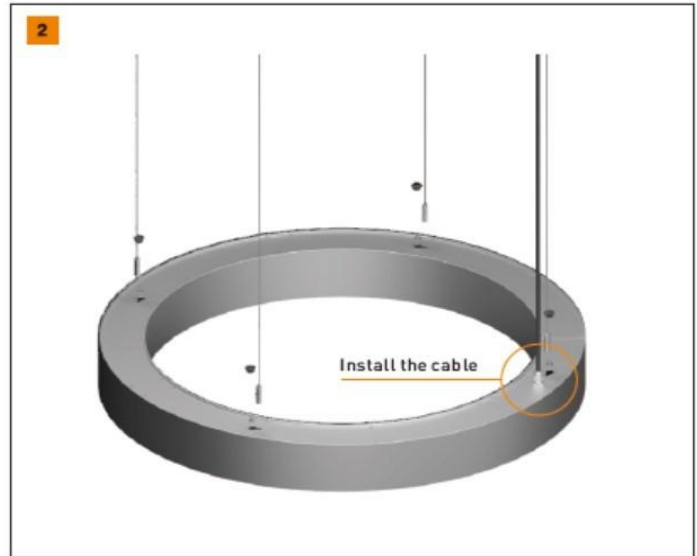
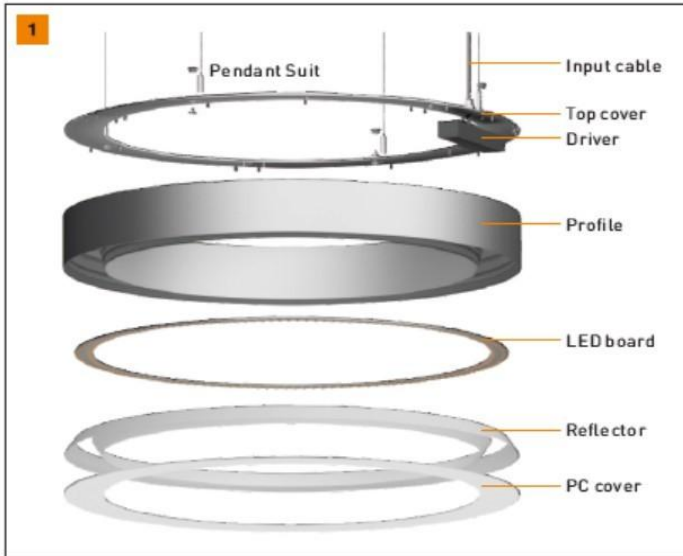
**PART 2: ADDITIONAL INFORMATION**



This drawing shows how many sections consist one Halo Circular ring, for your reference.

## PART 3: HOW TO INSTALL

### Installation for Diameter 600mm-1200mm:



## PART 5: ADVANTAGE ON CONNECTOR

Male & Female Connector:

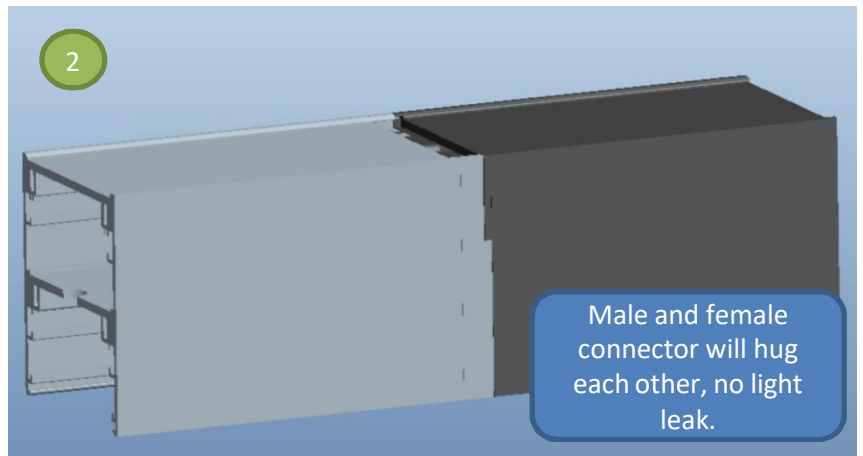
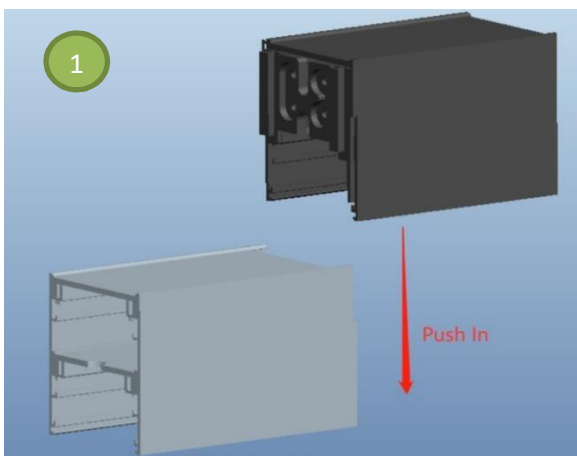
After Connect:



Male and Female connector was made by Die casting aluminum, it will be welded at two end of Arc aluminum profile, then polished and powder coated in same color as aluminum profile

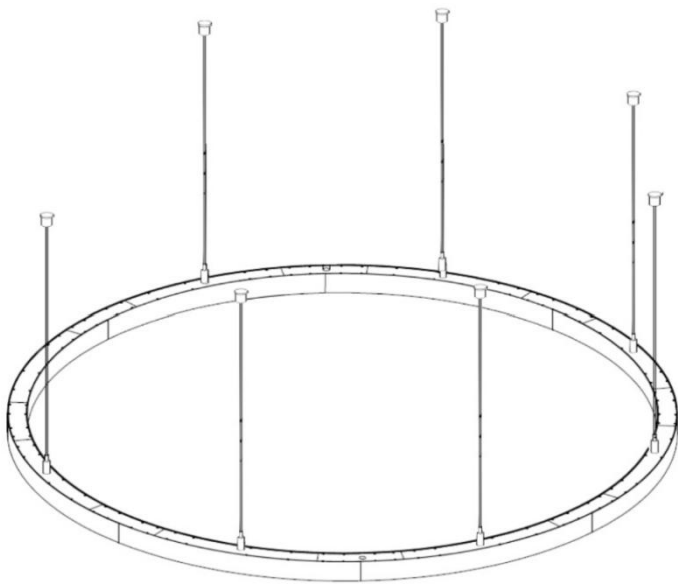


When workers install Halo LED circular light, they just need push together, lock back aluminum plate with screw, done!

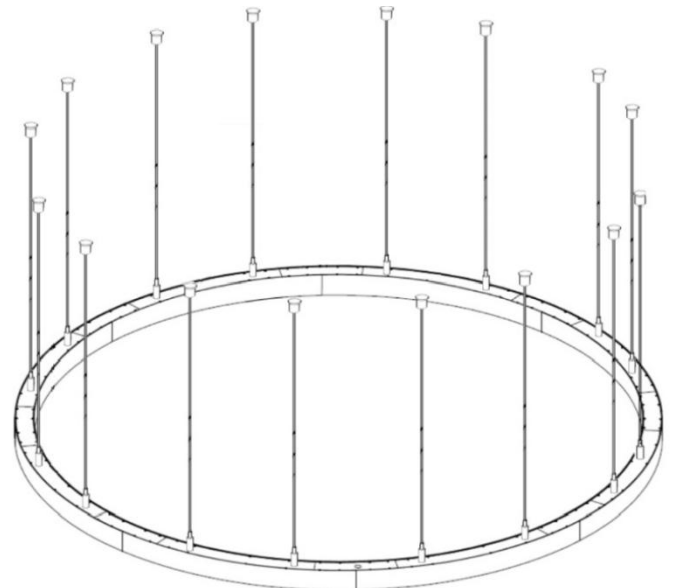


## PART 5: ADVANTAGE ON CONNECTOR

Standard version is 1 section 1 hanging rope, if want more stable, 1 section with 2 hanging rope also ok.



Each section with 1 suspended rope



Each section with 2 suspended rope

