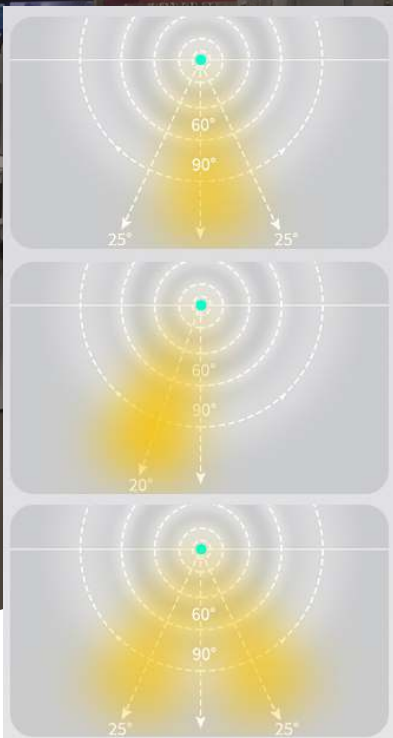


NOVA SERIES

LED NOVA LINEAR LIGHT



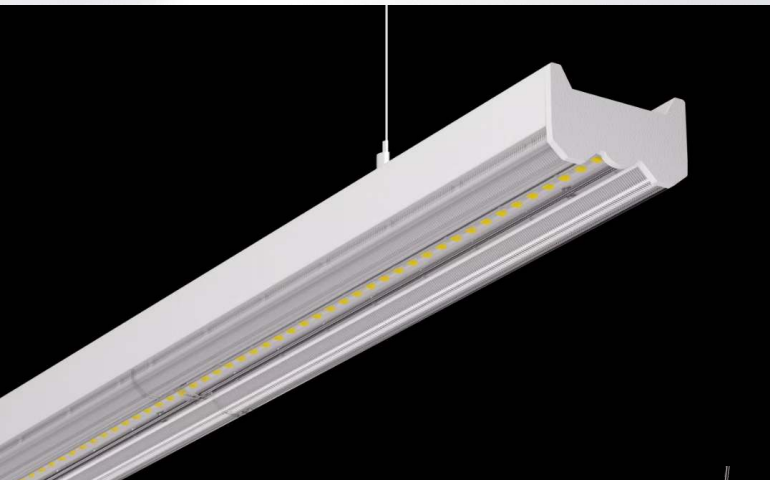
Light up your life

www.luccalight.com



SPECIFICATION

NOVA Linear Light LUL-N



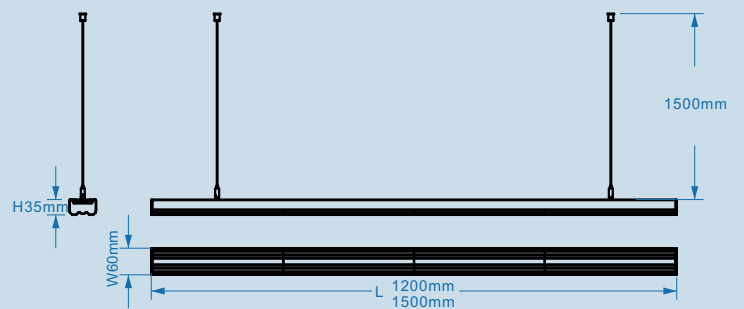
FEATURE

- Coated steel sheet material- Environment Friendly with excellent heat dissipation
- Special Design for Stylish and Economical
- Optical Lens for 30°,60°, 90°,120°,Singel asymmetric 20°, Double Asymmetric 25° etc.
- Length could be customized
- DIP Switch power 4 step DIP CCT 3000/4000/6500K
- Lumen efficiency upto 160lm/W.

APPLICATION

- Warehouse
- Show Room
- Airport

DIMENSION



Light up your life

www.luccalight.com

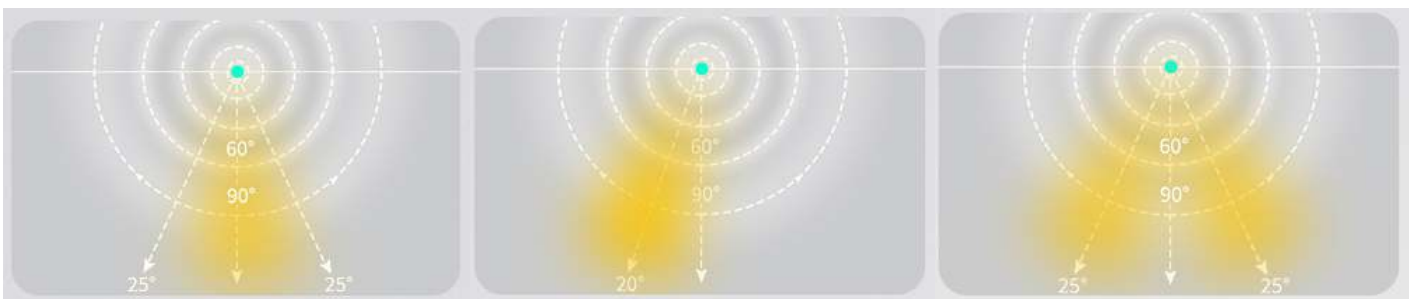
PARAMETER

Model No.	Dimension	Power	Lumen Efficiency	CCT
LUL-N6035-12	1200*60*35mm	DIP 28/36/42/50W	160lm/W	DIP 3000/4000/6500K
LUL-N6035-15	1500*60*35mm	DIP 36/44/52/60W	160lm/W	DIP 3000/4000/6500K

Length /Power Customized Available

Series	LUL-N6035
Material	Coated Steel Sheet
Finished	Black / White [Customized Available]
Input Voltage	90-265Vac or 200-240Vac
LED Type	SMD2835/5050
THD	<15%
P.F.	>0.9
Surge Protection	2KV
CRI	>80
Luminous Efficiency	160lm/W
Cover	Optional Lens
Beam Angle	Optical Lens for 30°,60°,90°,120°,Singel asymmetric 20°,Double Asymmetric 25° etc.
IP Level	IP20
Lamp Class	Class I
Driver	Standard KGP ,Customized Available
Operating Temperature	-20...+45°C
Operating Humidity	10-90%RH
Storage Temperature	-40...+85°C
Storage Humidity	10-90%RH
Warranty	5 years

Efficiency /Cover /Beam angle / Color Customized Available



Light up your life

www.luccalight.com



CONNECTION ACCESSORY



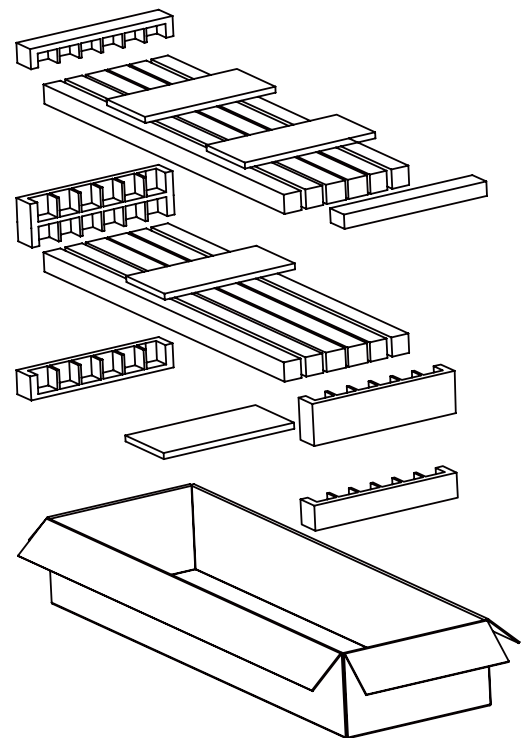
Light up your life

www.luccalight.com



PACKAGE

Model	Dimension(mm)	Package Size(mm)	Pcs/Ctn	N.W./pcs	G.W./ctn
LUL-N6035-12	1200*60*35	1270*350*130	8	1.36kg	12.80kg
LUL-N6035-15	1500*60*35	1570*350*130	8	1.70kg	15.60kg



Light up your life

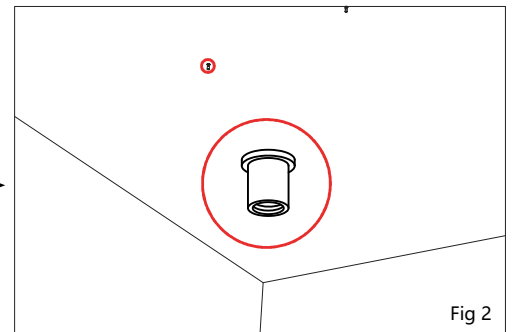
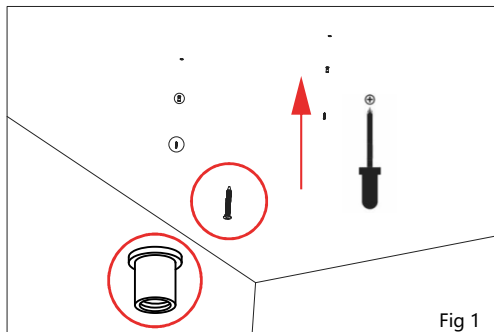
www.luccalight.com

INSTALLATION

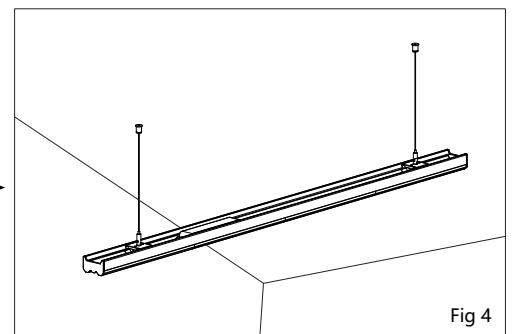
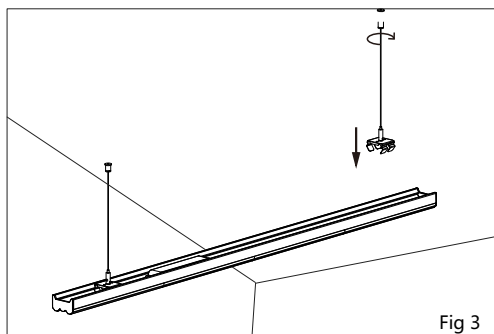
1. Please disconnect the main power to insure safety installation.
2. Drilling the holes at the suitable position, install expansion plugs, fix the lifting dock by self-tapping screws, and then screw the lifting code into lifting dock as shown in Fig(1), Fig(2).
3. Snap the outer threaded knob into the dovetail groove of the light fixture, and screw the inner threaded knob of the lanyard end into the outer threaded knob as shown in Fig. (3) and Fig. (4).
4. Connect the lamps and lanterns power cord and utility, L brown line connected to the firewire, N blue connection zero line, yellow-green even grounding wire, after power on the lamps and lanterns began to work as Figure (5), Figure (6)

Suspension/Ceiling/Square Mountd

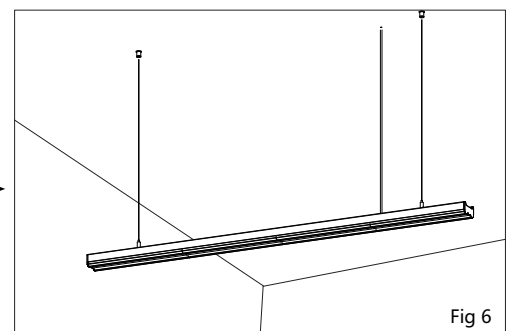
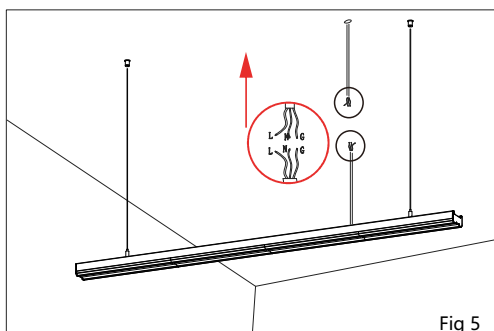
1. Drilling the holes at the suitable position, install expansion plugs, fix the lifting dock by self-tapping screws, and then screw the lifting code into lifting dock as shown in Fig(1), Fig(2)



2. Snap the outer threaded knob into the dovetail groove of the light fixture and screw the inner threaded knob of the lanyard end into the outer threaded knob as shown in Fig. (3) and Fig. (4).



3. Connect the lamps and lanterns power cord and utility, L brown line connected to the firewire N blue connection Natural line, yellow-green even grounding wire, after power on the lamps and lanterns began to work as Figure (5), Figure (6)



Light up your life

INSTALLATION

Wire Through Connection

1. First, install the lamps according to the order of single-lamp installation, pay attention to the installation spacing, installation height should be the same (Fig 1), Fig (2)

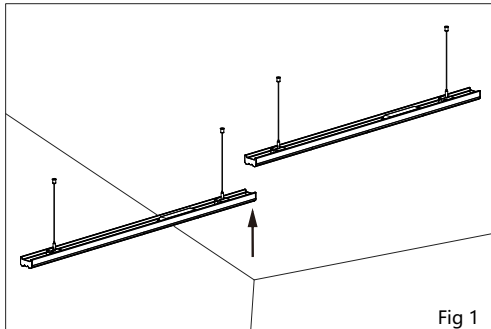


Fig 1

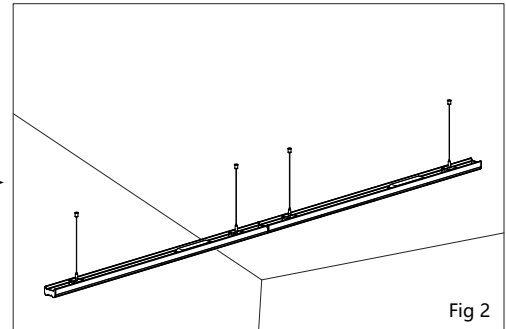


Fig 2

2. Snap the splices into the end caps between the two lamps to ensure that they are firmly installed, as shown in Fig (3) and Fig (4).

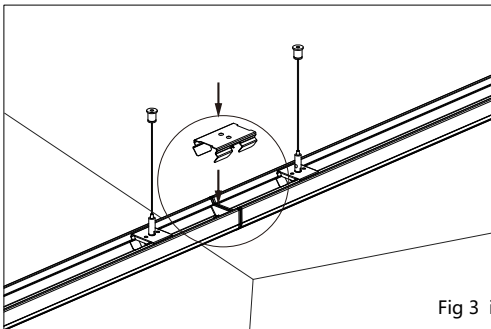
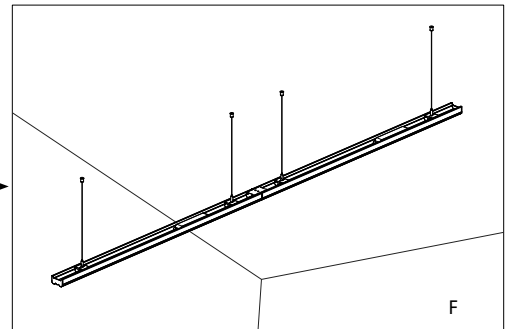


Fig 3



F

3. Sequentially according to step 1, step 2 to install and connect the rest of the lights, to ensure that the installation is firmly installed after power on the light, the installation is complete (Fig 5)

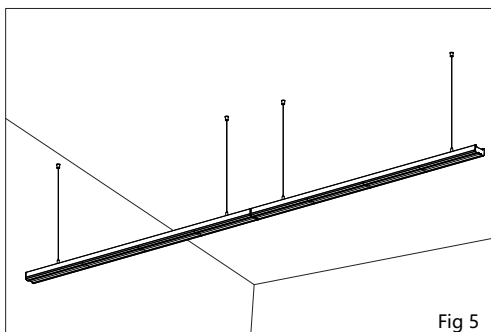


Fig 5

CAUTIONS:

1. Installation must be done by professional electricians.
2. Do NOT take apart the product. It may be dangerous.
3. Do NOT stare at the light with naked eyes. It is harmful to eyes.
4. For outdoor lighting, waterproof measurements must be done for the cable terminals.



Light up your life

www.luccalight.com