

LUL-B SERIES

LED LINEAR LIGHT



YENİ DÜŞÜN



Light up your life

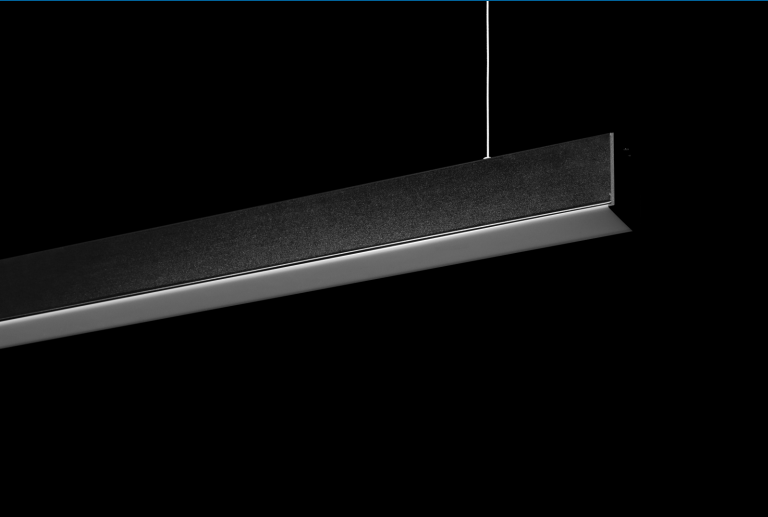
www.luccalight.com



SPECIFICATION

Linear Light Series LUL-B

Opal Cover



FEATURE

- Low consumption; More than 80% saving of the power
- Power & CCT DIP Switchable for 3 steps
- Coated steel sheet material- Environment Friendly with excellent heat dissipation
- Multiple installation for optional
- High Lumen output
- X/T/L Connection , Wire-through connection

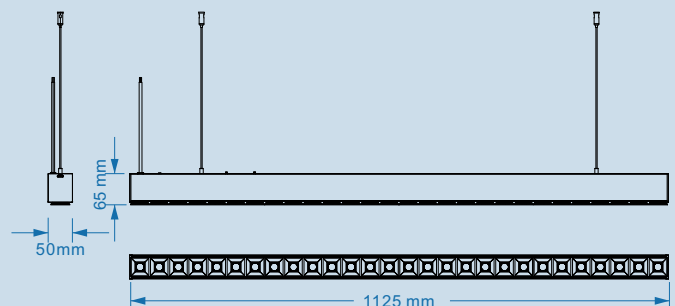
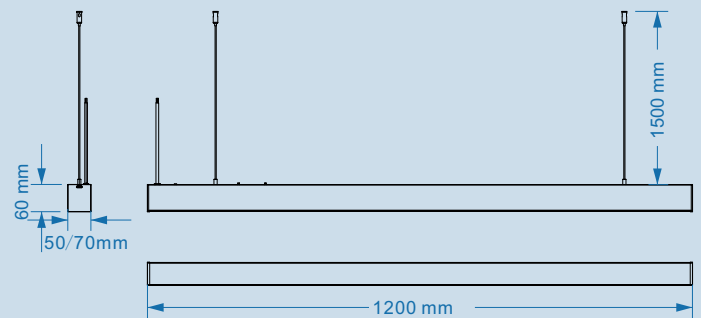
APPLICATION

- office
- Show Room
- Airport

Diffuser Cover



DIMENSION



Light up your life

www.luccalight.com

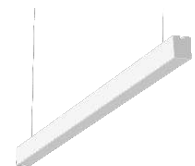
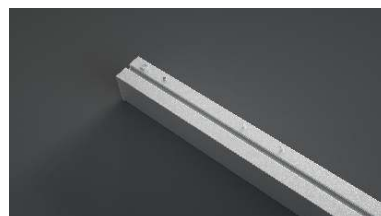
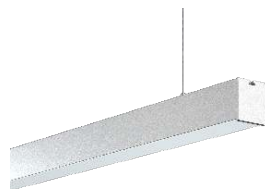
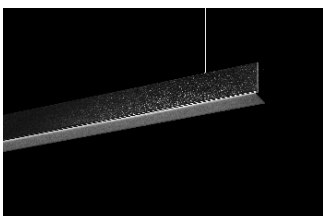
PARAMETER

Model No.	Dimension	Power	Lumen Efficiency	Beam Angle	CCT
LUL-B5060	1200*50*60mm	DIP 24/32/40W	100lm/W	120°	DIP 3000/4000/6500K
LUL-B7060	1200*70*60mm	DIP 24/32/40W	100lm/W	120°	DIP 3000/4000/6500K
LUL-B5065	1125*50*65mm	DIP 24/32/40W	90lm/W	D60° / D85°	DIP 3000/4000/6500K

Dimension Customized Available

Series	LUL-B50/70	
Material	Coated Steel Sheet	
Finished	Black / White [Customized Available]	
Input Voltage	90-265Vac or 200-240Vac	
LED Type	SMD2835/5050	
THD	<10%	
P.F.	>0.9	
Surge Protection	1KV	
CRI	>80	
Luminous Efficiency	100 lm/W	90 lm/W
Cover	PC/Prismatic	Grille Diffuser
Beam Angle	120°	D60° / D85°
UGR	<27/<21	<13
IP Level	IP20	
Lamp Class	Class I	
Operating Temperature	-10...+45°C	
Operating Humidity	10-90%RH	
Storage Temperature	-40...+85°C	
Storage Humidity	10-90%RH	
Warranty	5 years (L80B10>25000H)	

Efficiency /Cover /Beam angle / Color Customized Available



Light up your life

www.luccalight.com



CORNER CONNECTION ACCESSORY



2 * 120°



3 * 120°



2 * 90°



3 * 90°



4 * 90°



2 * 60°



6 * 60°



Light up your life

www.luccalight.com



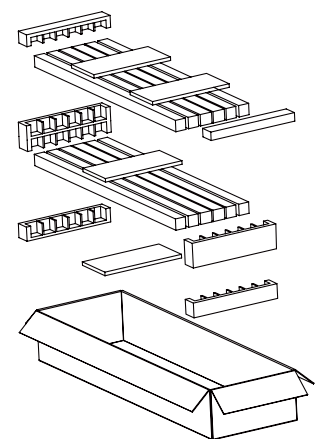
PACKAGE

Outer Box + Pearl cotton protection package

Model	Dimension(mm)	Package Size(mm)	Pcs/Ctn	N.W./pcs	G.W./ctn
LUL-B5060	1200*50*60	1260*435*190	10	0.75kg	8.85kg
LUL-B7060	1200*70*60	1260*435*230	10	0.92kg	10.75kg
LUL-B5065	1200*50*65	1260*450*230	10	0.88kg	10.25kg

Outer Box + inner box package

Model	Dimension(mm)	Package Size(mm)	Pcs/Ctn	N.W./pcs	G.W./ctn
LUL-B5060	1200*50*60	1255*310*175	10	0.75kg	8.85kg
LUL-B7060	1200*70*60	1255*420*180	10	0.92kg	10.75kg
LUL-B5065	1200*50*65	1255*310*190	10	0.88kg	10.25kg



Light up your life

www.luccalight.com

INSTALLATION



Hanging Rod Installation



Suspension Installation



Grille Installation



Ceiling Installation

Suspension installation

1. Drilling the holes at the suitable position, install expansion plugs, fix the lifting dock by self-tapping screws, and then screw the lifting code into lifting dock as shown in Fig(1), Fig(2)

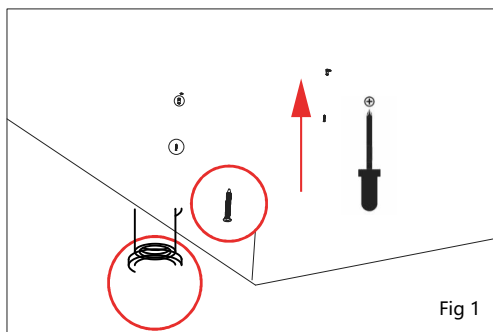


Fig 1

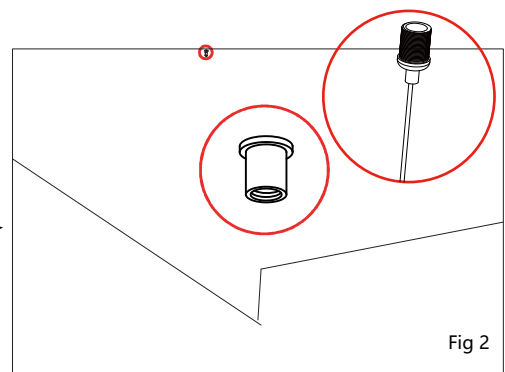


Fig 2

2. Snap the outer threaded knob into the dovetail groove of the light fixture, and screw the inner threaded knob of the lanyard end into the outer threaded knob as shown in Fig. (3) and Fig. (4).

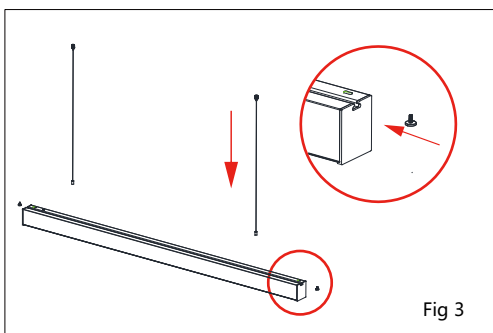


Fig 3

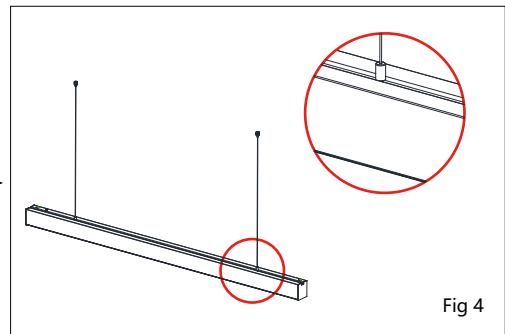


Fig 4

3. Connect the lamps and lanterns power cord and utility, L brown line connected to the fire wire, N blue connection zero line, yellow-green even grounding wire, after power on the lamps and lanterns began to work as Figure (5), Figure (6)

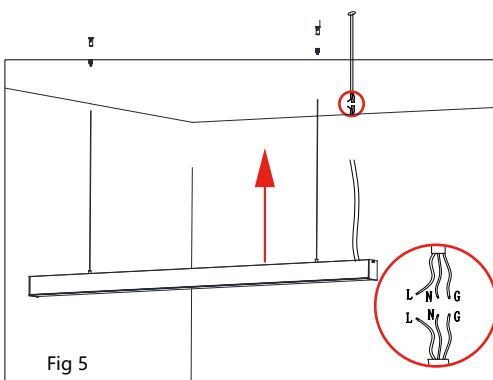


Fig 5

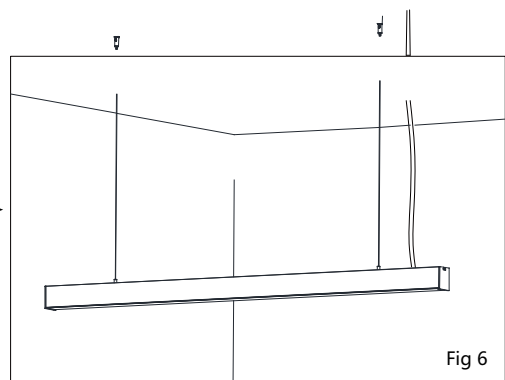


Fig 6

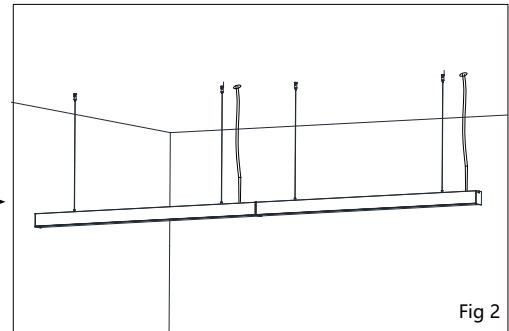
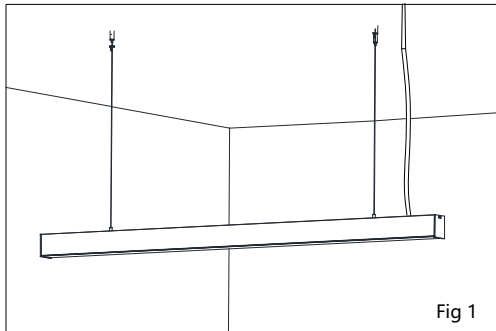


Light up your life

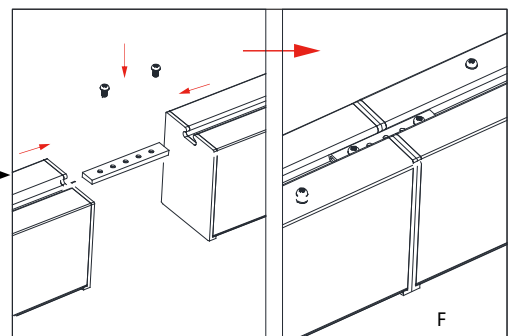
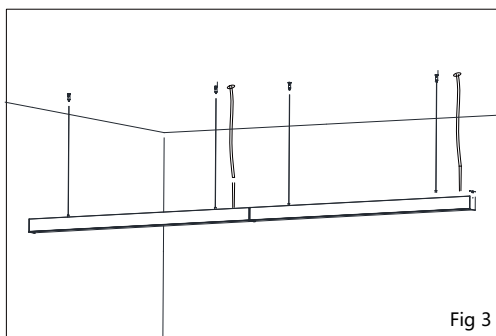
INSTALLATION

Wire Through Connection

1. On the basis of the completion of single-lamp installation, docking installation (docking lamps and lanterns lifting position to meet the docking requirements) Figure (1), Figure (2))



2. Insert the docking parts into the dovetail groove corresponding to the docking lamps and lanterns, use the screws to fix, complete the docking, turn on the control switch lamps and lanterns begin to work, as shown in Fig. (3), Fig. (4)



CAUTIONS:

1. Installation must be done by professional electricians.
2. Do NOT take apart the product. It may be dangerous.
3. Do NOT stare at the light with naked eyes. It is harmful to eyes.
4. For outdoor lighting, waterproof measurements must be done for the cable terminals.

WARRANTY

1. All LED Lights are warranted by the manufacturer to be free of defects in material and workmanship for 3 or 5 years (as per sale contracts).
2. Warranty becomes void if the products is modified, improperly installed or used, damaged by accident or neglect, or if any parts are improperly installed or replaced by the user.
3. During the warranty time, if the products fails at normal environment and applications, we should decide by our own to repair or replace without any charge.



Light up your life