



LED TRIPROOF LIGHT

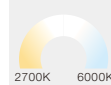
LU-TPE-A



NO
Flickering

IP66

IK08



5
YEARS
Warranty

FEATURES

- Built with a tough, air-tight enclosure allowing it to resist jets of water and dust an essential feature for outdoor lighting & Industry lighting.
- Low consumption; More than 80% saving of the power
- Low light decay, Long lifetime 50,000Hours
- Water-proof, Dust-proof, Damp-proof, Vapor-proof, IP66
- High impact test, IK08
- Self-wiring connection/ Linkable.
- Easy to install

Available for



DALI-2 / 0-10V / PWM Dimmable



MOTION SENSOR



EMERGENCY

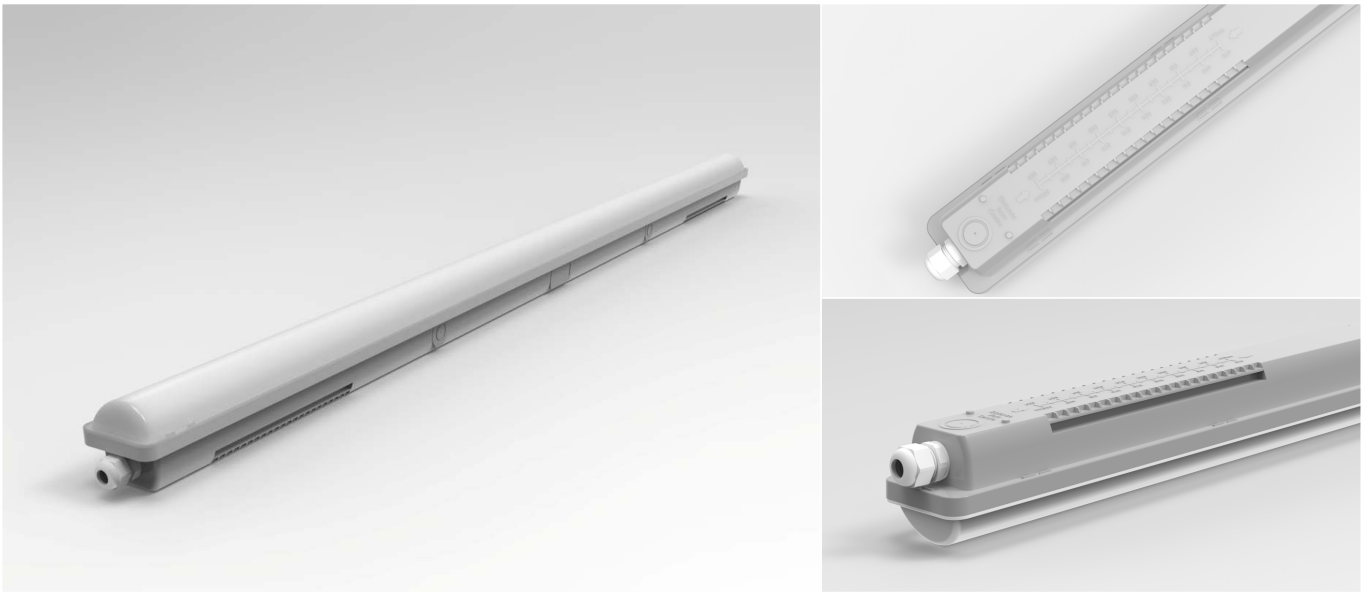
APPLICATION

- Car Park
- School, Hospital
- Warehouse, Factory

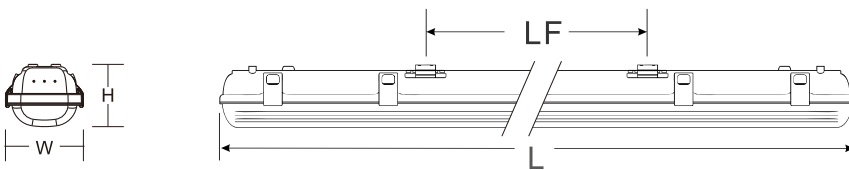


Light up your life

www.luccalight.com

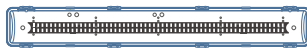


DIMENSION



Model No.	Dimension(L W H)	LF(mm)	Inner Box(mm)	Outer Box(mm)	Qty/Ctn	N.W./Pcs	G.W./Ctn
LU-TPE-06-A	600*77*74	260-420	630*85*80	650*360*330	16	1KG	17KG
LU-TPE-12-A	1200*77*74	700-980	1260*100*90	1280*320*290	12	1.7KG	22.5KG
LU-TPE-15-A	1500*77*74	940-1300	1560*100*90	1580*320*290	12	1.9KG	24.5KG

LU-TPE-06-A
120PCS LED



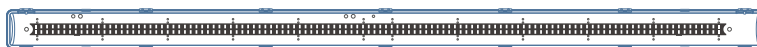
560X32MM-2835-10B12C

LU-TPE-12-A
240PCS LED



1160X32MM-2835-20B12C

LU-TPE-15-A
360PCS LED



1460X32MM-2835-30B12C

WITHOUT SCREW



CONNECTOR OPTIONAL:

M20/M22/NPT1/2



PC Connector



Metal Connector



Light up your life

CHIP & DRIVER FOR OPTION



Chip



Driver

DALI-2
0-10V
Phase(triac)
Wireless
Optional



DATASHEET

Model	LU-TPE-06-A	LU-TPE-12-A	LU-TPE-15-A
Power	20W	40W	50W
Size	2ft	4ft	6ft
Chip	SMD2835 120pcs	SMD2835 240pcs	SMD2835 360pcs
Lumen	130lm/W--2600lm 150lm/W--3000lm	130lm/W--5200lm 150lm/W--6000lm	130lm/W--6500lm 150lm/W--7500lm
Input	AC100-277V 50/60HZ		
T.H.D.	<15%		
P.F.	>0.95		
C.R.I.	>80Ra		
CCT	WW:3000-3500K NW:4000-4500K PW:5000-5500K CW:6000-6500K		
Beam Angle	120°		
IP Grade	IP66		
IK Grade	IK08		
Ta	-20~+50°C		
Life Span	50000h@Ta.Tc		
Warranty	5 Years		

LUMINOUS INTENSITY DISTRIBUTION DIAGRAM

